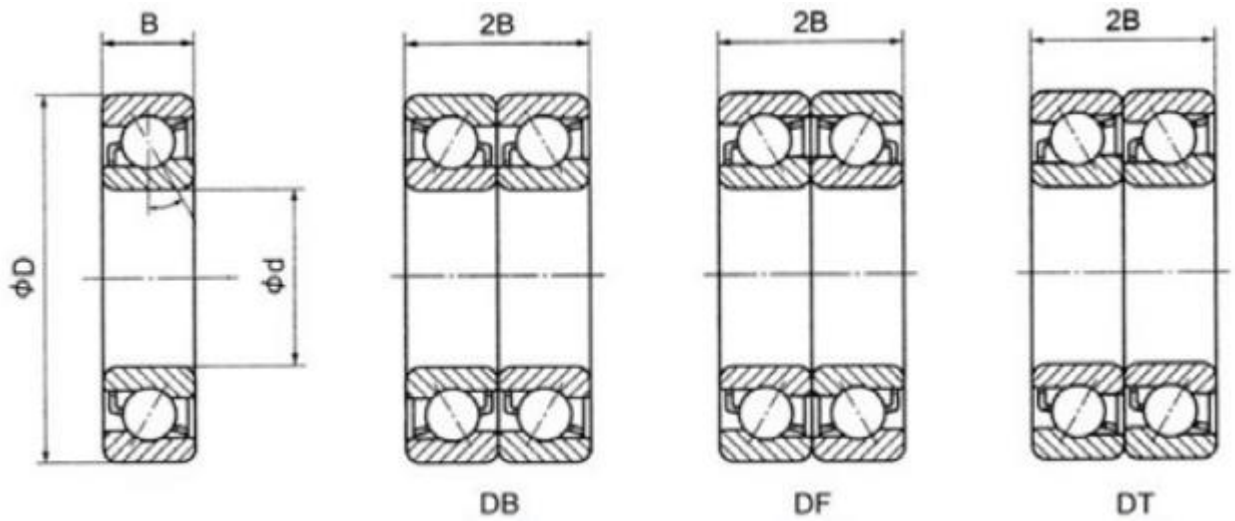
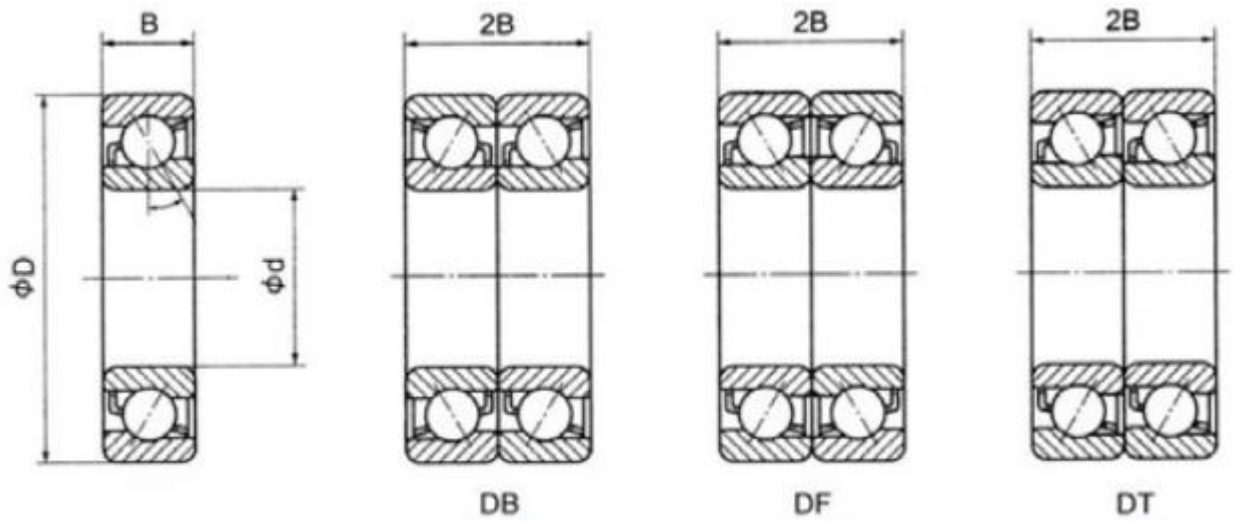


# 7300 Series Angular Contact Bearing Dimensions



Part No.	d (mm)	D (mm)	B(mm)	Dynamic load (kN)	Static Load (kN)	N.W. (Kg)
7302B	15	42	13	12.8	6.8	0.085
7303B	17	47	14	15.2	8.3	0.12
7304B	20	52	15	17.8	9.9	0.15
7305B	25	62	17	25.1	15.1	0.245
7306B	30	72	19	32	21	0.36
7307B	35	80	21	37.5	24.9	0.475
7308B	40	90	23	46	31	0.655
7309B	45	100	25	60	41.5	0.875
7310B	50	110	27	70.5	49.5	1.14
7311B	55	120	29	81	58	1.45
7312B	60	130	31	92.5	67.5	1.81
7313B	65	140	33	105	77.5	2.22
7314B	70	150	35	118	88.5	2.7
7315B	75	160	37	128	100	3.15

# 7300 Series Angular Contact Bearing Dimensions



Part No.	d (mm)	D (mm)	B(mm)	Dynamic load (kN)	Static Load (kN)	N.W. (Kg)
7302B	15	42	13	12.8	6.8	0.085
7303B	17	47	14	15.2	8.3	0.12
7304B	20	52	15	17.8	9.9	0.15
7305B	25	62	17	25.1	15.1	0.245
7306B	30	72	19	32	21	0.36
7307B	35	80	21	37.5	24.9	0.475
7308B	40	90	23	46	31	0.655
7309B	45	100	25	60	41.5	0.875
7310B	50	110	27	70.5	49.5	1.14
7311B	55	120	29	81	58	1.45
7312B	60	130	31	92.5	67.5	1.81
7313B	65	140	33	105	77.5	2.22
7314B	70	150	35	118	88.5	2.7
7315B	75	160	37	128	100	3.15