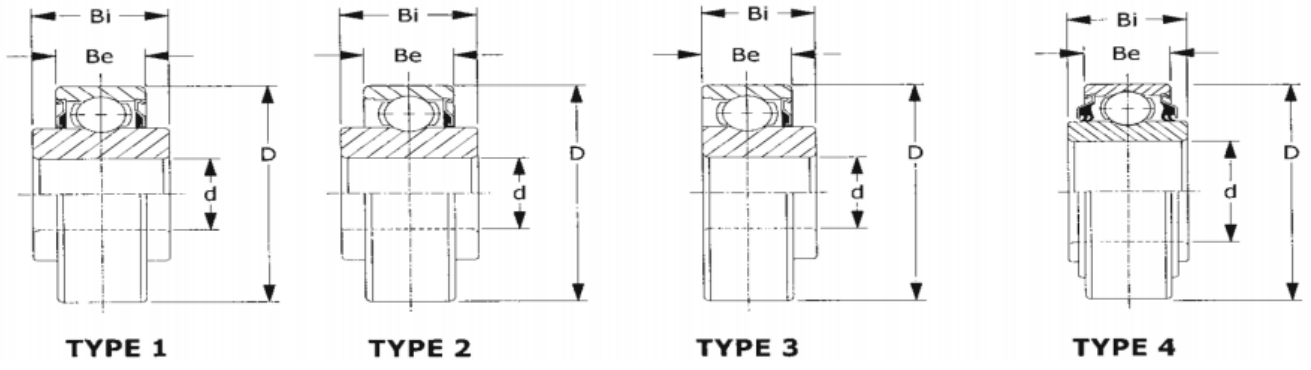


# Deep Groove Agricultural Bearing Dimensions



Part No.	Type	Unit of Measurement	d	D	Be	Bi	Dynamic	Static	Wt. Lbs.
203KRR2	1	mm	0.64	1.5748	0.72	0.4724	2.16	889	0.16
		Inch	16.26	40	18.288	12	2.16	889	0.16
203KRR3	1	mm	0.628	2	0.5906	0.5906	2.16	889	0.16
		Inch	15.91	50.8	15	15	2.16	889	0.16
203KRR5	1	mm	0.515	1.5748	0.72	4.724	2.16	889	0.22
		Inch	13.081	40	18.288	12	2.16	889	0.22
205KRP2	3	mm	0.756	2.0472	0.831	0.9606	3.15	1.61	0.44
		Inch	19.202	52	21.107	15	3.15	1.61	0.44
205PPB7	2	mm	0.9375	2.0472	1.375	0.9606	3.15	1.61	0.44
		Inch	23.813	52	34.925	15	3.15	1.61	0.44
206KRR13	2	mm	0.75	2.441	0.623	0.945	4.37	2.32	0.75
		Inch	19.05	62	16	24	4.37	2.32	0.75
208NPPB5	5	mm	1.438	3.1496	0.8661	0.8661	7.34	3.65	1.04
		Inch	36.525	80	22	22			
5203KYY2	2*	mm	0.64	1.5748	1.737	1.5402			
		Inch	16.256	40	44.12	39.12			