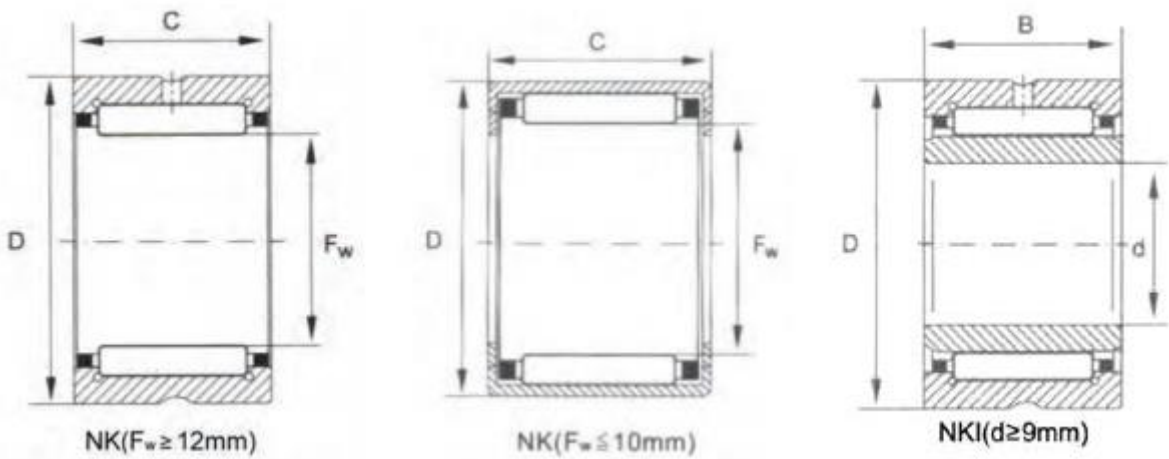


# NK series Needle Roller Bearing Dimensions



Part No.	$F_w$	D	C	Dynamic Load (kN)	Static Load (kN)	Weight(Kgs)
NK10/12	10	17	12	4.8	5.5	0.01
NK14/20	14	22	20	12.8	15.8	0.026
NK16/16	16	24	16	11.3	13.9	0.022
NK17/16	17	25	16	11.9	15	0.024
NK18/20	18	26	20	15.8	22	0.031
NK20/12	20	28	12	4.9	5.6	0.025
NK22/16	22	30	16	14	19.9	0.03
NK24/16	24	32	16	15	22.3	0.032
NK25/20	25	33	20	18.8	30.5	0.042
NK26/16	26	34	16	15.3	23.6	0.034
NK26/20	26	34	20	19.4	32	0.042
NK30/20	30	40	20	22.6	36	0.065
NK32/20	32	42	20	23.1	37.5	0.068
NK35/20	35	45	20	24.3	41.5	0.074
NK35/30	35	45	30	36.5	69	0.112
NK38/30	38	48	30	38	76	0.116
NK55/25	55	68	25	40	82	0.18
NK65/25	65	78	25	44	98	0.221
NK70/25	70	85	25	44.5	92	0.26
NK75/25	75	92	25	54	104	0.315
NKI5/12TN	5	15	12	3.95	4.1	0.012
NK6/12TN	6	12	12	3.4	3.2	0.057
NK8/16	8	15	16	5.1	5.8	0.012