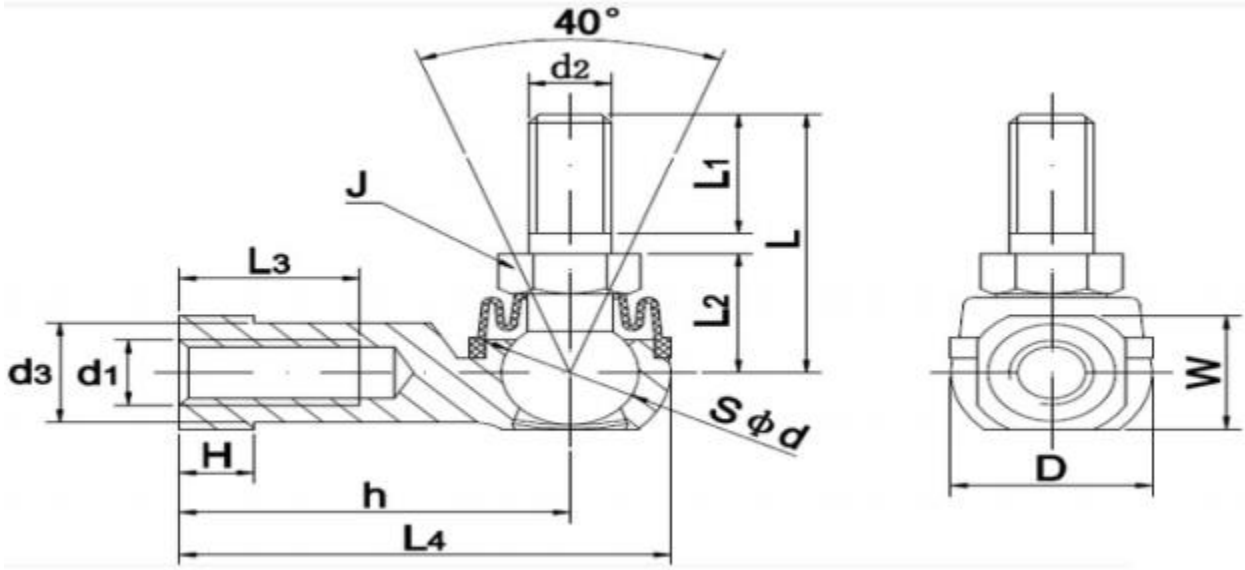


Ball Studded Rod End Metric Product Dimension



	6(H)	d2(6g)	d3	L1 (min)	L2	L3 (min)	L4	h	H	W	D	J	Sd	Load Rating	Weight (Kgs)
BL6BD	M6x1.0	M6x1.0	10	-	11	16	16	30	5	11	16	10	11.11	9.9	0.037
BL6D	M6x1.0	M6x1.0	10	11	11	16	16	30	5	11	16	10	11.11	9.9	0.037
BL8BD	M8x1.25	M8x1.25	13	-	14	19	19	36	6	14	19	12	12.7	12.5	0.066
BL8D	M8x1.25	M8x1.25	13	12	14	19	19	36	6	14	19	12	12.7	12.5	0.066
BL10BD	M10x1.5	M10x1.5	14.5	21	17	23	23	43	7	17	25	14	15.88	18.3	0.11
BL10D	M10x1.25	M10x1.25	14.5	15	17	23	23	43	7	17	25	14	15.88	18.3	0.11
BL12BD	M12x1.75	M12x1.75	17.5	24	19	26	26	50	8	19	29	17	19.05	26.7	0.16
BL12D	M12x1.25	M12x1.25	17.5	17	19	26	26	50	8	19	29	17	19.05	26.7	0.16