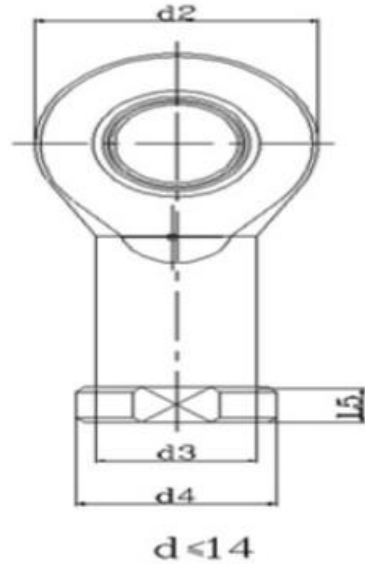
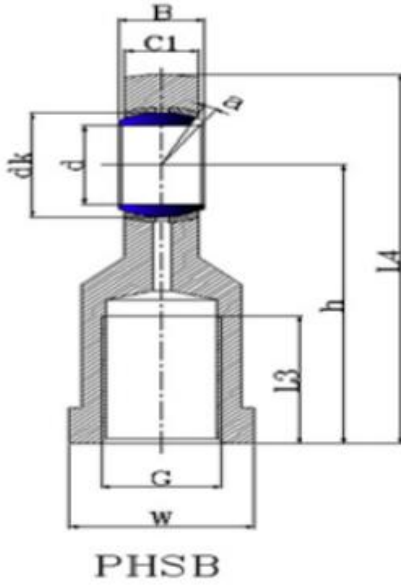


# Imperial Female Rod End Product Dimension



	d	B	dk	C1	d2	G	h	L3	L4	L5	W	d3	d4	a	Dynamic (kN)	Static (kN)	Weight (kgs)
PHSB3	4.826	7.93	11.1	6.35	15.88	10-32	26.97	14.27	34.91	4.75	7.92	7.54	10.31	10	3.4	4.6	0.015
PHSB4	6.35	9.53	12.7	7.14	19.05	1/4-28	33.32	19.05	42.85	4.75	9.53	9.15	11.91	13	4.5	7.7	0.025
PHSB5	7.938	11.1	15.88	8.74	22.23	5/16-24	34.93	19.05	46.04	4.75	11.1	10.72	12.7	10	6.9	8.4	0.036
PHSB6	9.525	12.7	18.26	10.31	25.4	3/8-24	41.28	23.8	53.98	6.35	14.27	13.89	17.45	9	9.4	10	0.061
PHSB7	11.113	14.28	20.62	11.1	28.58	7/16-20	46.02	26.97	60.31	6.35	15.88	15.49	19.05	11	11	13	0.081
PHSB8	12.7	15.88	23.81	12.7	33.32	1/2-20	53.98	30.15	70.64	6.35	19.05	18.67	22.23	9	15	19	0.133
PHSB10	15.875	19.05	28.58	14.27	38.1	5/8-18	63.5	38.1	82.55	7.92	22.23	21.84	25.4	11	20	21	0.19
PHSB12	19.05	22.23	33.32	17.45	44.45	3/4-16	73.03	44.45	95.25	7.92	25.4	25.02	28.58	10	29	29	0.285
PHSB16	25.4	34.93	47.63	25.4	69.85	5/4-12	104.78	53.98	139.7	11.1	38.1	37.72	44.45	14	60	101	1