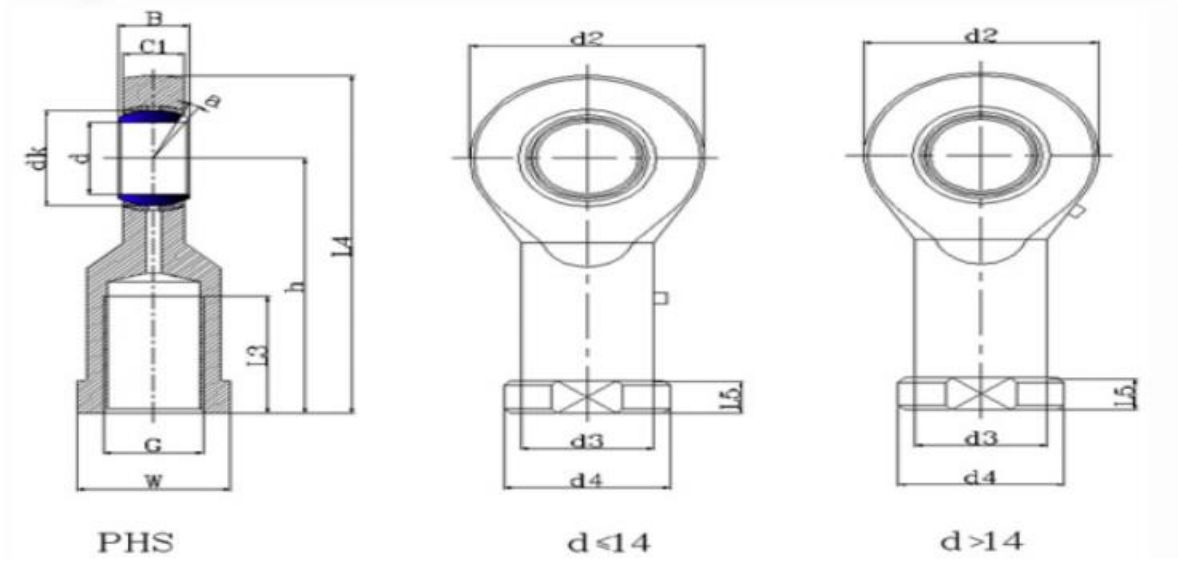


Metric Female Rod End Product Dimension



	d	B	dk	C1	d2	G	h	L3	L4	L5	W	d3	d4	a	Dynamic (kN)	Static (kN)	Weight (kgs)
PHS3	3	6	7.93	4.5	14	M3*0.5	21	10	28	3.3	7	6.8	8.5	14	1.8	3.7	0.008
PHS4	4	7	9.53	5.3	16	M4*0.7	24	10	32	4	8	7.8	9.5	13	2.5	4.6	0.013
PHS5	5	8	11.11	6	16	M5*0.8	27	10	35	4	9	8.5	11	13	3.3	5.7	0.016
PHS6	6	9	12.7	6.75	18	M6*1.0	30	12	39	5	11	10	13	13	4.3	7.2	0.022
PHS8	8	12	15.88	9	22	M8*1.25	36	16	47	5	14	12.5	16	14	7.2	11.6	0.047
PHS10	10	14	19.05	10.5	26	M10*1.5	43	20	56	6.5	17	15	19	13	10	14.5	0.077
PHS10-1	10	14	19.05	10.5	26	M10*1.25	43	20	56	6.5	17	15	19	13	10	14.5	0.077
PHS12	12	16	22.23	12	30	M12*1.75	50	22	65	6.5	19	17.5	22	13	13.4	17	0.1
PHS12-1	12	16	22.23	12	30	M12*1.25	50	22	65	6.5	19	17.5	22	13	13.4	17	0.1
PHS14	14	19	25.4	13.5	34	M14*2.0	57	25	74	8	22	20	25	16	17	24	0.16
PHS14-1	14	19	25.4	13.5	34	M14*1.5	57	25	74	8	22	20	25	16	17	24	0.16
PHS16	16	21	28.58	15	40	M16*2.0	64	28	84	8	24	22	27	15	21.6	28.5	0.22
PHS16-1	16	21	28.58	15	40	M16*1.5	64	28	84	8	24	22	27	15	21.6	28.5	0.22
PHS18	18	23	31.75	16.5	44	M18*1.5	71	32	93	10	27	25	31	15	26	42.5	0.32
PHS20	20	25	34.93	18	50	M20*1.5	77	33	102	10	30	27.5	34	14	31.5	42.5	0.42
PHS22	22	28	38.1	20	54	M22*1.5	84	37	111	12	32	30	38	15	38	57	0.54
PHS25	25	31	42.85	22	60	M24*2.0	94	42	124	12	36	33.5	42	15	47.5	68	0.73
PHS28	28	35	47.6	24	66	M27*2.0	103	48	136	14	41	37	46	15	58	75	0.98
PHS30	30	37	50.8	25	70	M30*2.0	110	51	145	15	41	40	50	17	64	88	1.1
PHS30-1	30	37	50.8	25	70	M27*2.0	110	51	145	15	41	40	50	17	64	88	1.1