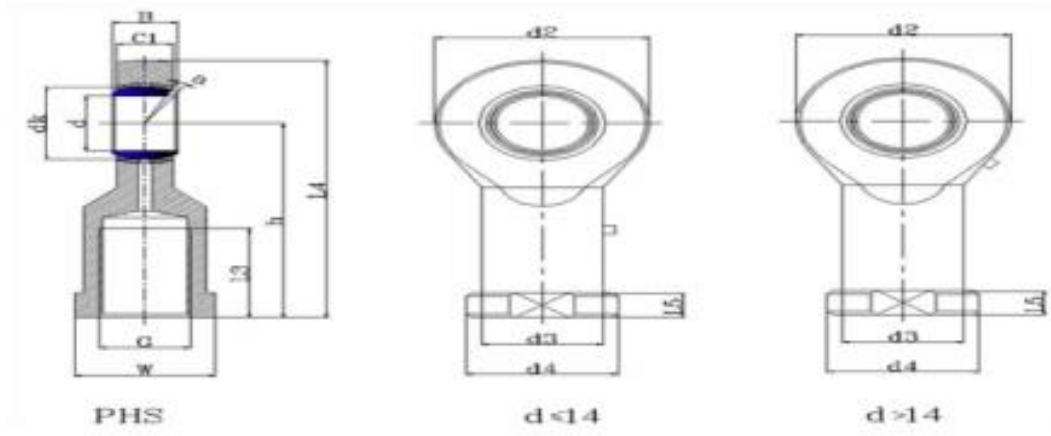


# Stainless Steel Female Rod End Product Dimension



	d	B	dk	C1	d2	G	h	L3	L4	L5	W	d3	d4	a	Dynamic (kN)	Static (kN)	Weight (kgs)
SSPHS5	5	8	11.11	6	16	M5*0.8	27	10	35	4	9	8.5	11	13	3.3	5.7	0.016
SSPHS6	6	9	12.7	6.75	18	M6*10	30	12	39	5	11	10	13	13	4.3	7.2	0.022
SSPHS8	8	12	15.88	9	22	M8*1.25	36	16	47	5	14	12.5	16	14	7.2	11.6	0.047
SSPHS10	10	14	19.05	10.5	26	M10*1.5	43	20	56	6.5	17	15	19	13	10	14.5	0.077
SSPHS12	12	16	22.23	12	30	M12*1.75	50	22	65	6.5	19	17.5	22	13	13.4	17	0.1
SSPHS16	16	21	28.58	15	40	M16*2.0	64	28	84	8	24	22	27	15	21.6	28.5	0.22
SSPHS20	20	25	34.93	18	50	M20*1.5	77	33	102	10	30	27.5	34	14	31.5	42.5	0.42