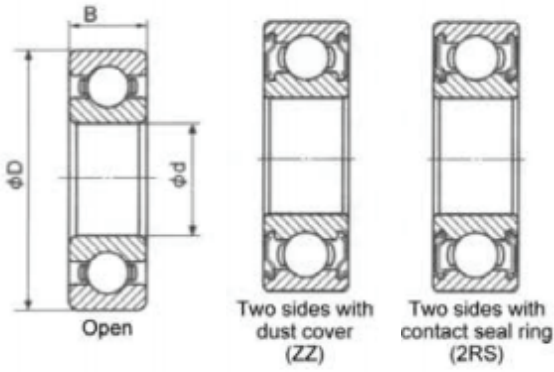
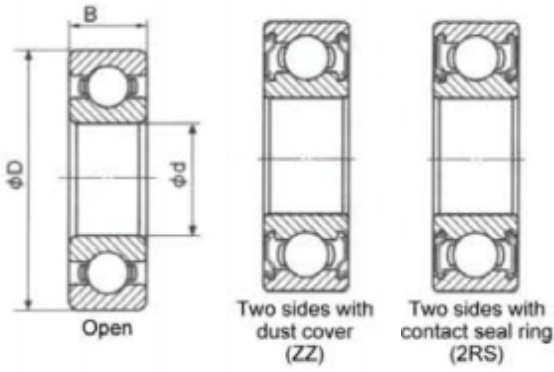


Imperial Ball Bearing Dimensions

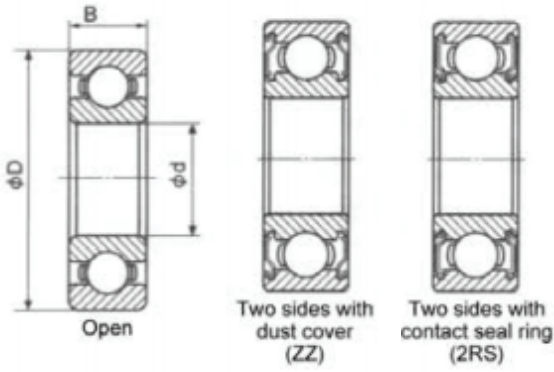


Part No		d (Inch)	D (inch)	B(inch)	Dynamic load (N)	Static Load (N)
R2-2RS	R2-2Z	1/8	3/8	5/32	631	219
R3-2RS	R3-2Z	3/16	1/2	5/32	1301	488
R4-2RS	R4-2Z	1/4	5/8	5/32	1480	621
R6-2RS	R6-2Z	3/8	7/8	7/32	3332	1422
R8-2RS	R8-2Z	1/2	1-1/8	1/4	5108	2413
R10-2RS	R10-2Z	5/8	1-3/8	9/32	5988	3287
R12-2RS	R12-2Z	3/4	1-5/8	5/16	9378	5057
EE7-2RS	EE7-2Z	3/4	1-3/4	1/2	2540	1090
R14-2RS	R14-2Z	7/8	1-7/8	3/8	100055	5855
R16-2RS	R16-2Z	1	2	3/8	10055	5855
R18-2RS	R18-2Z	1-1/8	2-1/8	3/8	12230	2260
R20-2RS	R20-2Z	1-1/4	2-1/4	3/8	13225	8265
	R4A-2RS	1/4	3/4	7/32	1120	885

Imperial Ball Bearing Dimensions



Part No	d (Inch)	D (inch)	B(inch)	Dynamic load (N)	Static Load (N)
RLS4-2RS	1/2	1-15/16	3/8	6820	3050
RLS5-2RS	5/8	1-9/16	7/16	7650	3720
RLS6-2RS	3/4	1-7/8	9/16	12800	6650
RLS7-2RS	7/8	2	9./16	12800	6650
RLS8-2RS	1	2-1/4	5/8	14000	7880
RLS9-2RS	1-1/8	2-1/2	5/8	19500	10000
RLS10-2RS	1-1/4	2-3/4	11/16	22500	11800
RLS11-2RS	1-3/8	3	11/16	25500	13700
RLS12-2RS	1-1/2	3-1/4	3/4	30700	16600
RLS14-2RS	1-3/4	3-3/4	13/16	35100	19600
RLS16-2RS	2	4	13/16	43600	25000



Part No	d (Inch)	D (inch)	B(inch)	Dynamic load (N)	Static Load (N)
RMS4-2RS	1/2	1-5/8	5/8	1500	5420
RMS5-2RS	5/8	1-13/16	5/8	13500	6550
RMS6-2RS	3/4	2	11/16	15900	7800
RMS7-2RS	7/8	2-1/4	11/16	18600	9150
RMS8-2RS	1	2-1/2	3/4	22500	11400
RMS9-2RS	1-1/8	2-13/16	13/16	28100	14600
RMS10-2RS	1-1/4	3-1/8	7/8	33200	18000
RMS11-2RS	1-3/8	3-1/2	7/8	41000	22400
RMS12-2RS	1-1/2	3-3/4	15/16	41000	22400