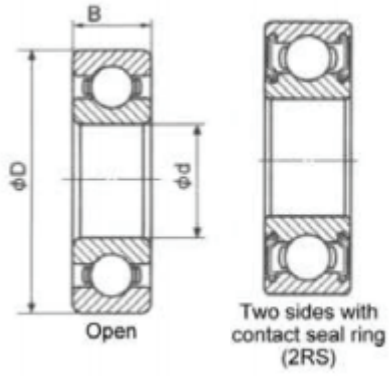
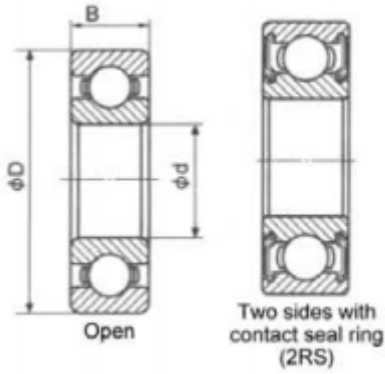


600 Stainless Ball Bearing Dimensions

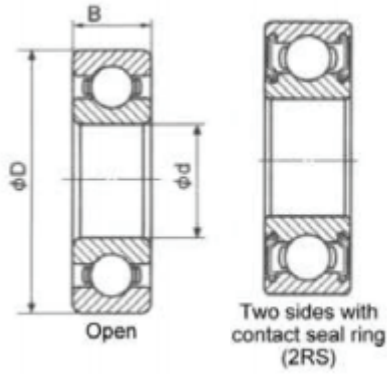


Part No	d (mm)	D (mm)	B(mm)	Dynamic load (kN)	Static Load (kN)	N.W. (Kg)
SS604-2RS	4	12	4	0.97	0.36	0.002
SS605-2RS	5	14	5	1.33	0.51	0.004
SS606-2RS	6	17	6	1.78	0.71	0.005
SS607-2RS	7	19	6	2.24	0.91	0.008
SS608-2RS	8	22	7	3.35	1.4	0.012
SS623-2RS	3	14	4	0.53	0.18	0.002
SS624-2RS	4	13	5	1.1	0.41	0.003
SS625-2RS	5	16	5	1.48	0.57	0.005
SS626-2RS	6	19	6	1.94	0.73	0.008
SS628-2RS	8	24	8	2.86	1.18	0.01
SS629-2RS	9	26	8	3.78	1.63	0.02

6000 Stainless Ball Bearing Dimensions



Part No	d (mm)	D (mm)	B(mm)	Dynamic load (kN)	Static Load (kN)	N.W. (Kg)
SS6000-2RS	10	26	8	3.83	1.66	0.019
SS6001-2RS	12	28	8	4.29	2.01	0.023
SS6002-2RS	15	32	9	4.71	2.39	0.032
SS6003-2RS	17	35	10	5.06	2.73	0.039
SS6004-2RS	20	42	12	7.91	4.21	0.07
SS6005-2RS	25	47	12	8.51	4.93	0.079
SS6006-2RS	30	55	13	11.09	6.97	0.117
SS6007-2RS	35	62	14	13.42	8.6	0.156
SS6008-2RS	40	68	15	14.1	9.63	0.194
SS6009-2RS	45	75	16	17.54	12.73	0.246
SS6010-2RS	50	80	16	18.32	13.93	0.264
Part No	d (mm)	D (mm)	B(mm)	Dynamic load (kN)	Static Load (kN)	N.W. (Kg)
SS6200-2RS	10	30	9	4.29	2.01	0.032
SS6201-2RS	12	32	10	5.73	2.56	0.037
SS6202-2RS	15	35	11	6.44	3.11	0.045
SS6203-2RS	17	40	12	8.04	4.04	0.065
SS6204-2RS	20	47	14	10.78	5.56	0.106
SS6205-2RS	25	52	15	11.8	6.66	0.128
SS6206-2RS	30	62	16	16.43	9.46	0.199
SS6207-2RS	35	72	17	21.67	12.81	0.288
SS6208-2RS	40	80	18	24.51	15.05	0.366
SS6209-2RS	45	85	19	27.35	17.2	0.407
SS6210-2RS	50	90	20	29.5	19.52	0.463
Part No	d (mm)	D (mm)	B(mm)	Dynamic load (kN)	Static Load (kN)	N.W. (Kg)
SS6300-2RS	10	35	11	6.8	2.9	0.053
SS6301-2RS	12	37	12	8.19	3.57	0.06
SS6302-2RS	15	42	13	11.76	4.54	0.082
SS6303-2RS	17	47	14	11.42	5.5	0.115
SS6304-2RS	20	52	15	13.36	6.64	0.144
SS6305-2RS	25	62	17	19.82	10.16	0.232
SS6306-2RS	30	72	19	22.43	12.6	0.346



Part No	d (mm)	D (mm)	B(mm)	Dynamic load (kN)	Static Load (kN)	N.W. (Kg)
SS61800-2RS	10	19	5	2.12	0.99	0.005
SS61801-2RS	12	21	5	1.92	1.04	0.006
SS61802-2RS	15	24	5	2.08	1.26	0.007
SS61803-2RS	17	26	5	2.63	1.57	0.008
SS61804-2RS	20	32	7	4	2.64	0.019
SS61805-2RS	25	37	7	4.3	2.94	0.022
SS61806-2RS	30	42	7	5.35	3.8	0.026
SS61807-2RS	35	47	7	4.75	3.8	0.029
SS61808-2RS	40	52	7	5.95	4.9	0.033
SS61809-2RS	45	58	7	5.35	4.9	0.04
SS61810-2RS	50	65	7	6.4	5.8	0.052
Part No	d (mm)	D (mm)	B(mm)	Dynamic load (kN)	Static Load (kN)	N.W. (Kg)
SS61900-2RS	10	22	6	2.49	1.13	0.009
SS61901-2RS	12	24	6	2.7	1.32	0.011
SS61902-2RS	15	28	7	4.3	2.25	0.016
SS61903-2RS	17	30	7	4.6	2.55	0.018
SS61904-2RS	20	37	9	6.35	3.7	0.036
SS61905-2RS	25	42	9	7	4.5	0.042
SS61906-2RS	30	47	9	7.25	5	0.045
SS61907-2RS	35	55	10	10.4	7.15	0.073
SS61908-2RS	40	62	12	13.7	9.95	0.108
SS61909-2RS	45	68	12	14.1	10.9	0.122
SS61910-2RS	50	72	12	14.5	11.7	0.125