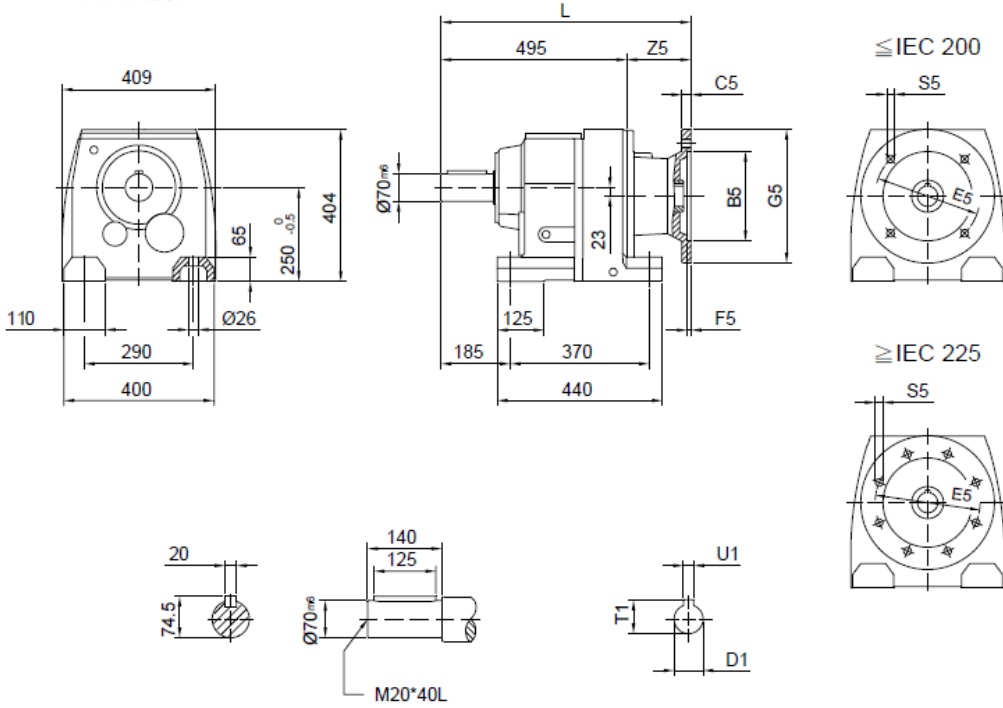
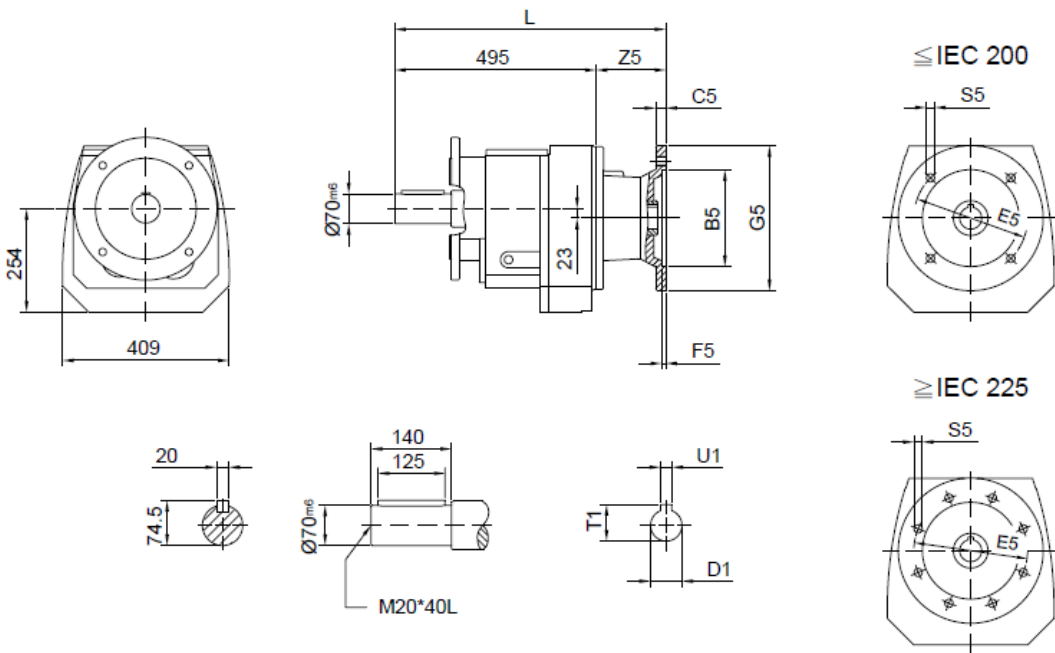


MHF107/MVF107 Product Dimensions

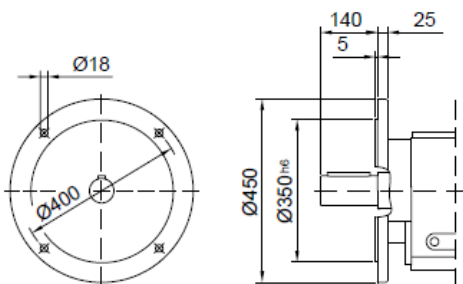
MHF 107



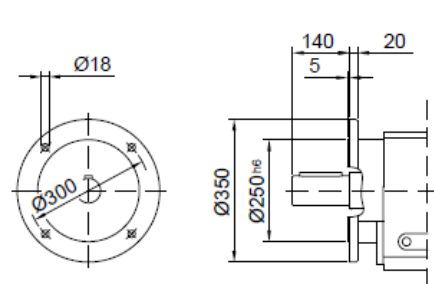
M..F 107



MVF 107



MWF 107



| | B5 | C5 | E5 | F5 | G5 | L | S5 | Z5 | D1 | T1 | U1 |
|----------|-----|----|-----|----|-----|-----|-----|-----|----|------|----|
| IEC 132 | 230 | 16 | 265 | 6 | 300 | 592 | M12 | 97 | 38 | 41.3 | 10 |
| IEC 160 | 250 | 20 | 300 | 6 | 350 | 628 | M16 | 133 | 42 | 45.3 | 12 |
| IEC 180* | 250 | 20 | 300 | 6 | 350 | 637 | M16 | 142 | 48 | 51.8 | 14 |
| IEC 200* | 300 | 20 | 350 | 6 | 400 | 637 | M16 | 142 | 55 | 59.3 | 16 |
| IEC 225* | 350 | 20 | 400 | 6 | 450 | 668 | M16 | 173 | 60 | 64.4 | 18 |