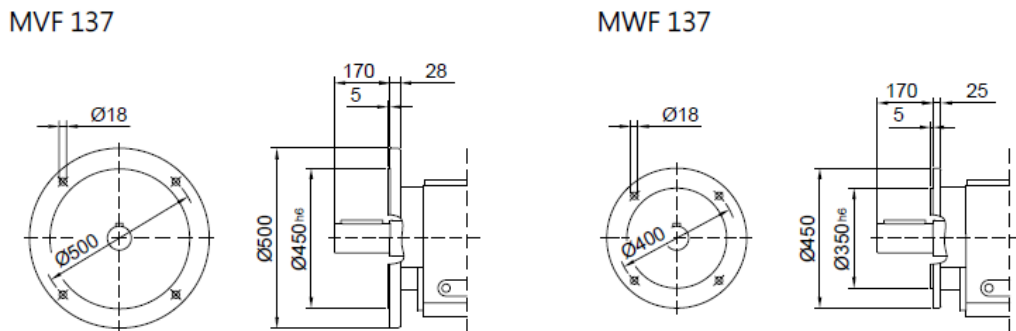
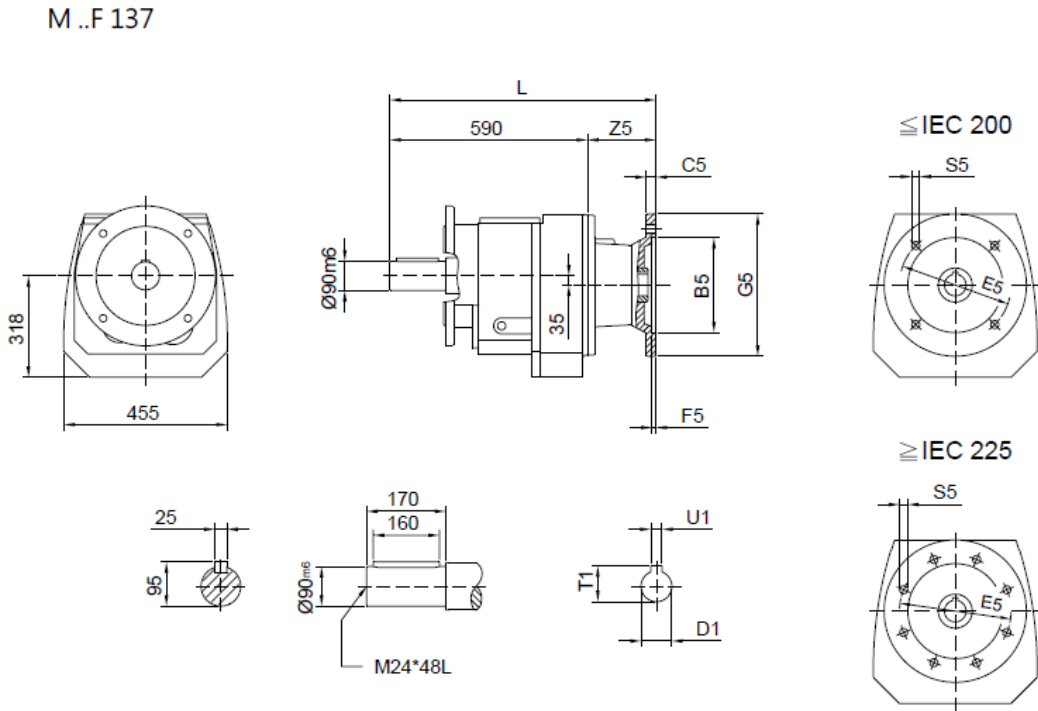
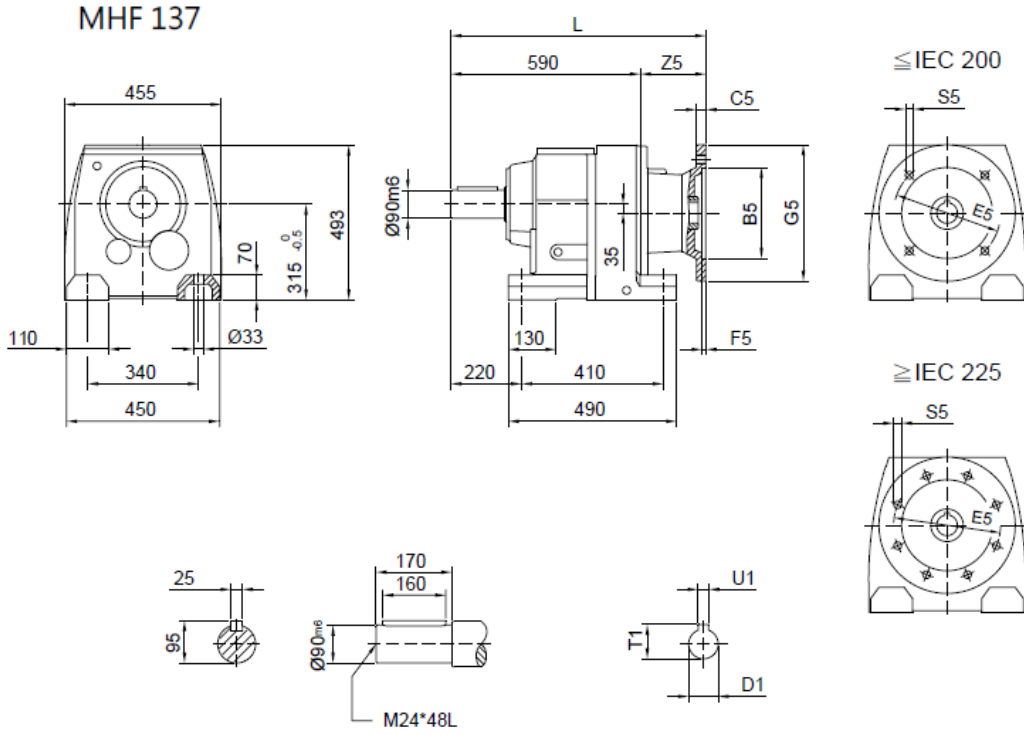


# MHF137/MVF137 Product Dimensions



	B5	C5	E5	F5	G5	L	S5	Z5	D1	T1	U1
IEC 160	250	20	300	6	350	713	M16	123	42	45.3	12
IEC 180*	250	20	300	6	350	721	M16	131	48	51.8	14
IEC 200*	300	20	350	6	400	721	M16	131	55	59.3	16
IEC 225*	350	20	400	6	450	752	M16	162	60	64.4	18
IEC 250*	450	22	500	6	550	769	M16	179	65	69.4	18