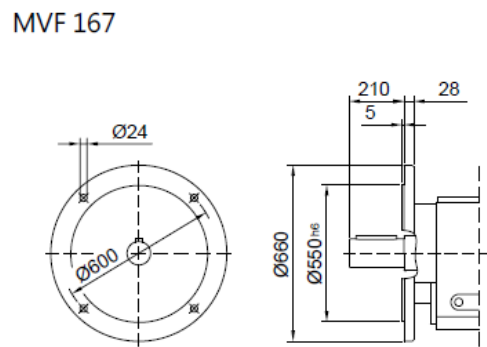
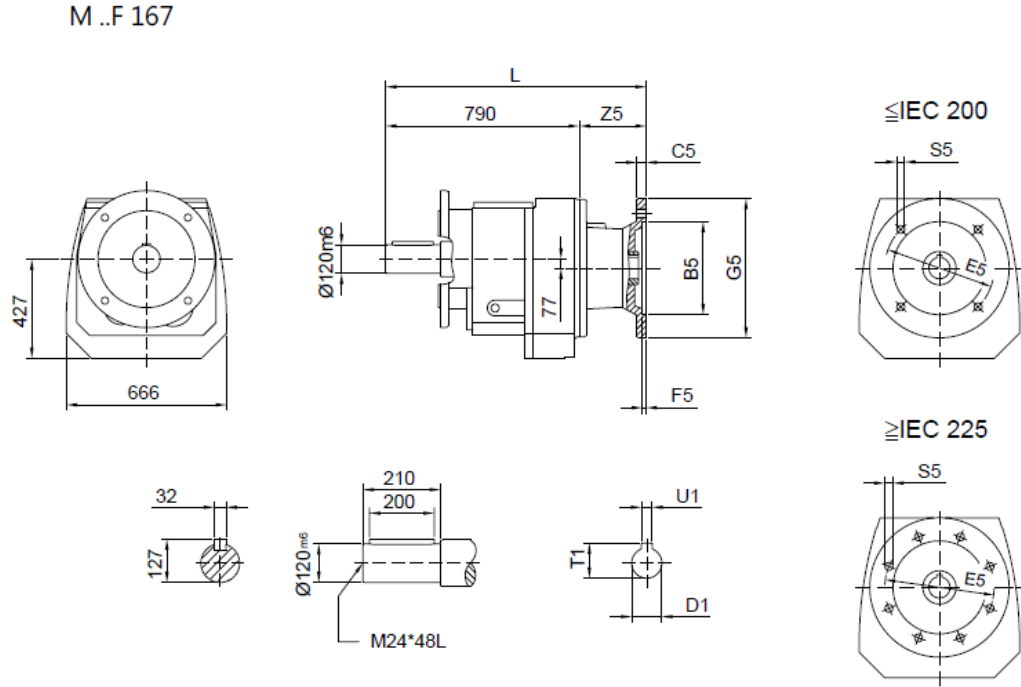
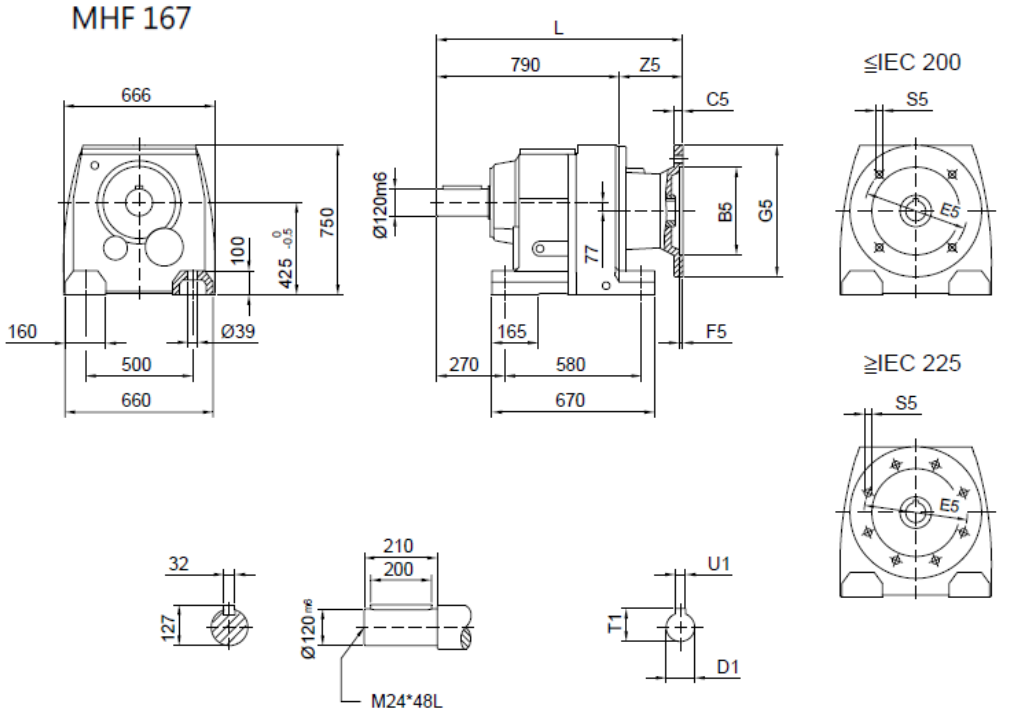


MHF167/MVF167 Product Dimensions



	B5	C5	E5	F5	G5	L	S5	Z5	D1	T1	U1
IEC 160	250	20	300	6	350	904	M16	114	42	45.3	12
IEC 180*	250	20	300	6	350	913	M16	123	48	51.8	14
IEC 200*	300	20	350	6	400	913	M16	123	55	59.4	16
IEC 225*	350	20	400	6	450	939	M16	149	60	64.4	18
IEC 250*	450	22	500	6	550	956	M16	166	65	69.5	18
IEC 280*	450	22	500	6	550	996	M16	206	75	80.0	20
IEC 315*	550	22	600	6	660	1010	Ø24	220	85	90.4	22