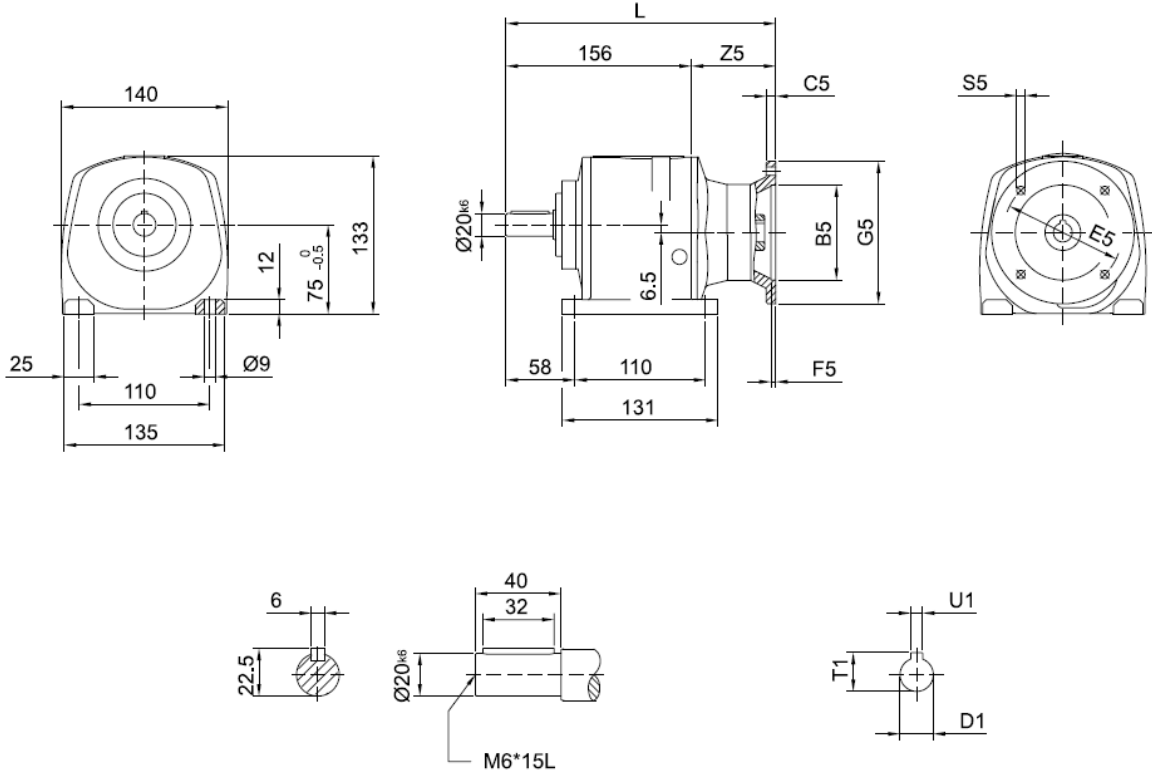
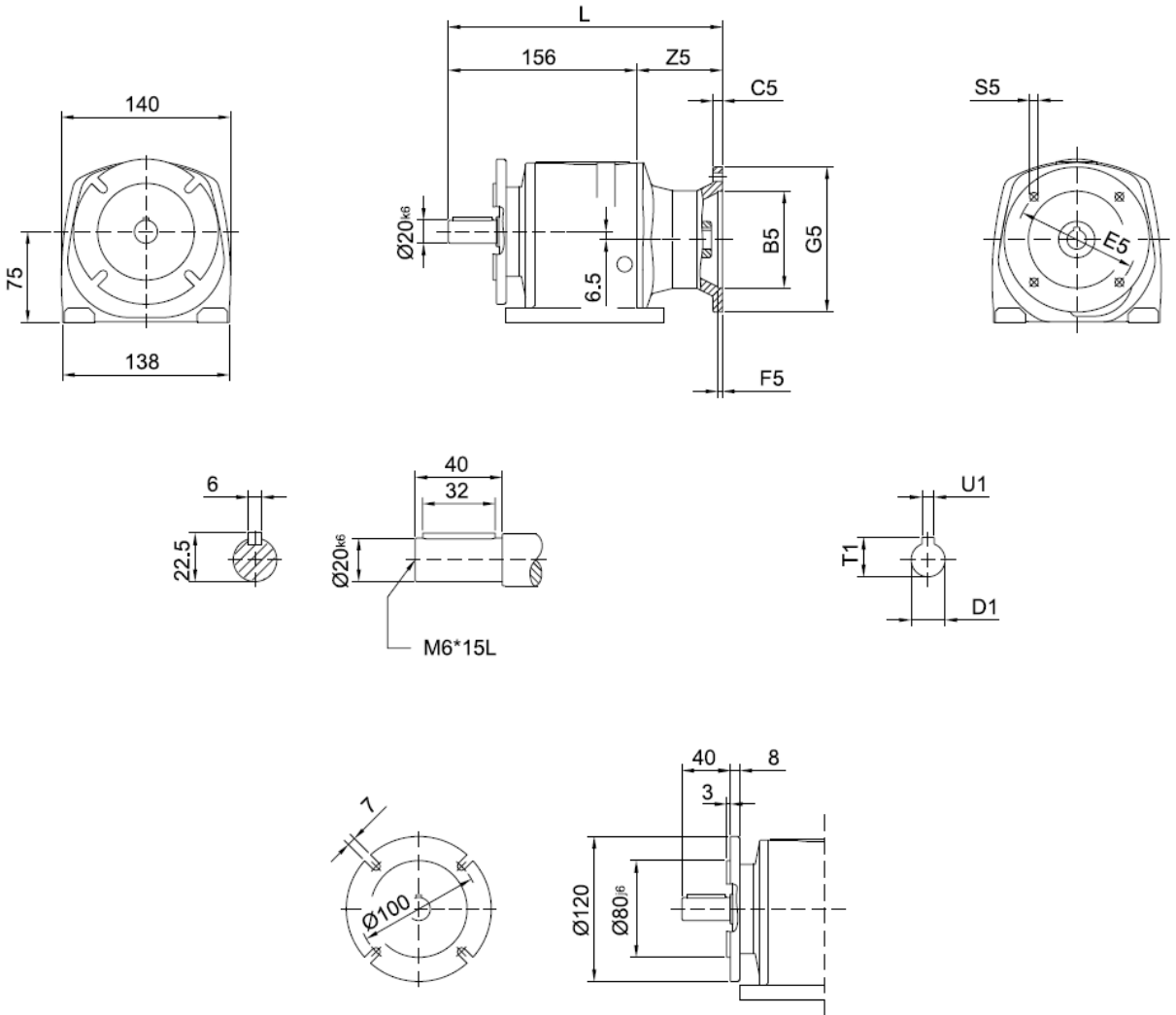


# MHF17/MVF17 Product Dimensions

## MHF 17



## MVF 17



	B5	C5	E5	F5	G5	L	S5	Z5	D1	T1	U1
IEC 56	50	8	65	3	80	212.5	6	56.5	9	10.4	3
IEC 63	60	8	75	3.5	90	212.5	6	56.5	11	12.8	4
IEC 71	70	8	85	3.5	105	212.5	7	56.5	14	16.3	5
IEC 80	80	8	100	4	120	227	7	71	19	21.8	6