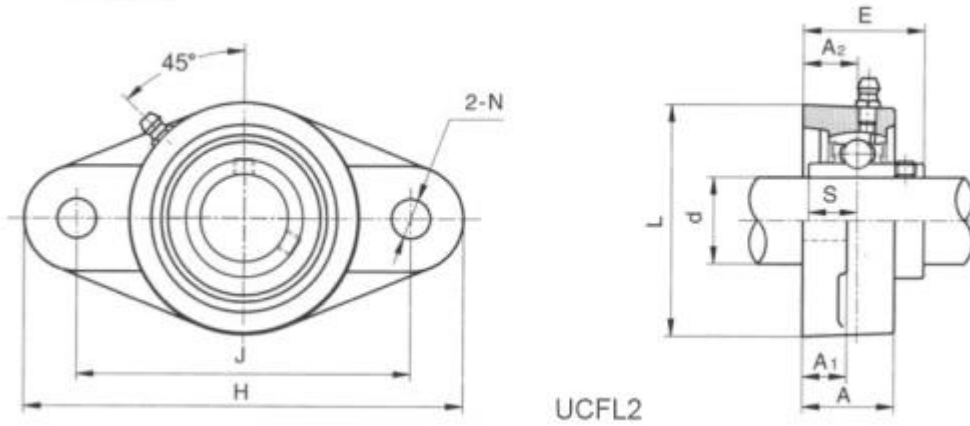


2 Bolt Flange Pillow Block Bearing Housing Product Dimension



	d	H	J	L	A2	A1	A	N	E	S	Weight (kg)
UCFL205G	25	130	99	68	16	13	27	16	35.8	14.3	0.64
UCFL206G	30	148	117	80	18	13	31	16	40.2	15.9	0.93
UCFL207G	35	161	130	90	19	15	34	16	44.4	17.5	1.2
UCFL208G	40	175	144	100	21	15	36	16	51.2	19	1.59
UCFL209G	45	188	148	108	22	16	38	19	52.2	19	1.84
UCFL210G	50	197	157	115	22	16	40	19	54.6	19	2.15
UCFL211G	55	224	184	130	25	18	43	19	58.4	22.2	3.1
UCFL212G	60	250	202	140	29	18	48	23	68.7	25.4	3.99