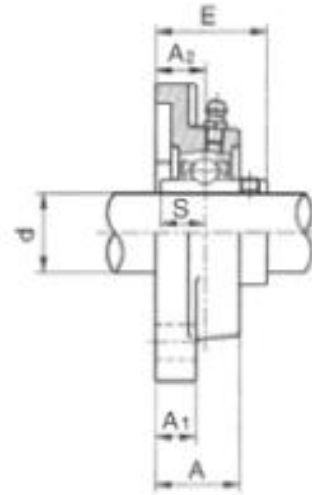
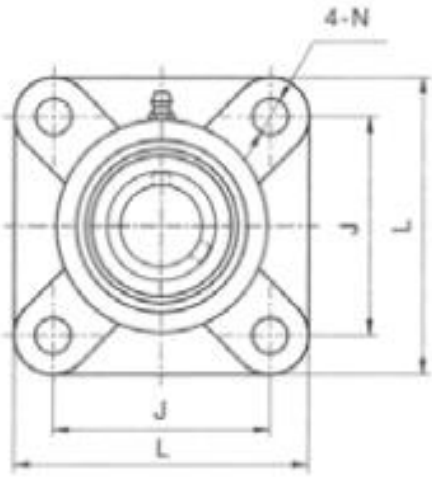


# 4 Bolt Flange Pillow Block Bearing Housing Product Dimension



UCF2

	d1	L	A	J	N	A1	A2	A0	B	S	Weight (kg)
UCF205G	25	95	27	70	12	14	16	35.7	34	14.3	0.82
UCF206G	30	108	31	83	12	14	18	40.2	38.1	15.9	1.13
UCF207G	35	117	34	92	14	16	19	44.4	42.9	17.5	1.42
UCF208G	40	130	36	102	16	16	21	51.2	49.2	19	1.87
UCF209G	45	137	38	105	16	18	22	52.2	49.2	19	2.15
UCF210G	50	143	40	111	16	18	22	54.6	51.6	19	2.45
UCF211G	55	162	43	130	19	20	25	58.4	55.6	22.2	3.4
UCF212G	60	175	48	143	19	20	29	68.7	65.1	25.4	4.17