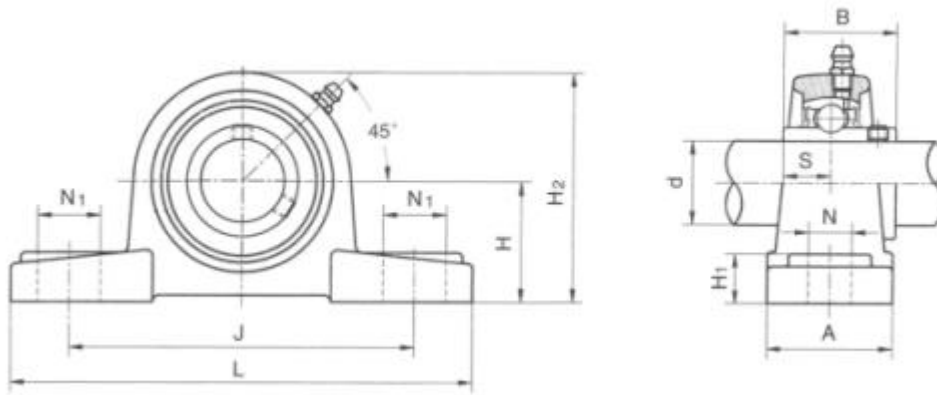


Pillow Block Bearing Foot Mounted Housing Product Dimension



UCP2

	d	H	L	A	J	N	N1	H1	H2	B	S	Weight (kg)
UCP205G	25	36.5	140	38	105	13	19	16	70	34.1	14.3	0.91
UCP206G	30	42.9	165	48	121	17	21	18	83	38.1	15.9	1.32
UCP207G	35	47.6	167	48	127	17	21	19	94	42.9	17.5	1.72
UCP208G	40	49.2	184	54	137	17	23	19	100	49.2	19	2.14
UCP209G	45	54	190	54	146	17	23	20	108	49.2	19	2.45
UCP210G	50	57.2	206	60	159	20	25	22	114	51.6	19	3.1
UCP211G	55	63.5	219	60	171	20	25	22	126	55.6	22.2	3.85
UCP212G	60	69.8	241	70	184	20	25	25	138	65.1	25.4	5.1