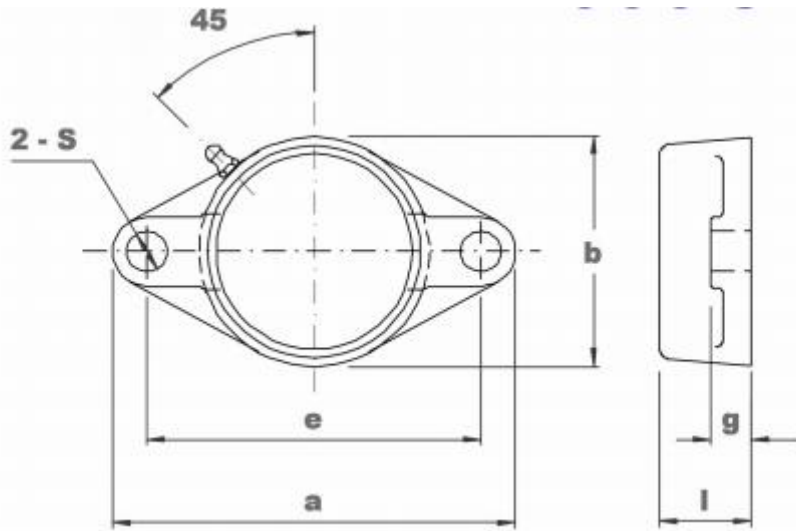
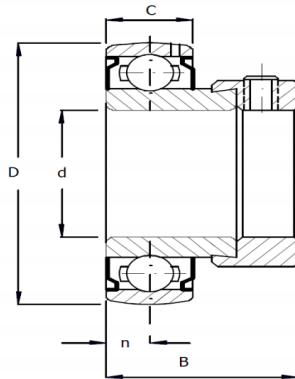


# Silver Series 2 Bolt Bearing Housing with Collar Product Dimension



	d	a	e	g	l	s	b	g	Weight (kg)
FL000	10	60	45	5.5	11.5	7	36	37	0.035
FL001	12	63	48	5.5	11.5	7	38	46	0.038
FL002	15	67	53	6.5	13	7	42	54	0.043
FL003	17	71	56	7	14	7	46	60	0.047
FL004	20	90	71	8	16	10	55	103	0.055
FL005	25	95	75	8	16	10	60	113	0.062
FL006	30	112	85	9	18	13	70	176	0.07



	d	D	B1	C	S	B3	d1	Dynamic (N)	Static (kN)	Weight (kg)
U000ER	10	26	8	17.5	4	4.58	1.98	19000	21	0.14
U001ER	12	28	8	17.5	4	5.1	2.38	18000	28	0.135
U002ER	15	32	9	18.5	4.5	5.58	2.85	16000	36	0.13
U003ER	17	35	10	20.5	5	6.11	3.25	14000	48	0.15
U004ER	20	42	12	24.5	6	9.38	5.02	12000	88	0.15
U005ER	25	47	12	25.5	6	10.1	5.85	10000	102	0.22
U006ER	30	55	13	26.5	6.5	13.2	8.28	8500	153	0.22