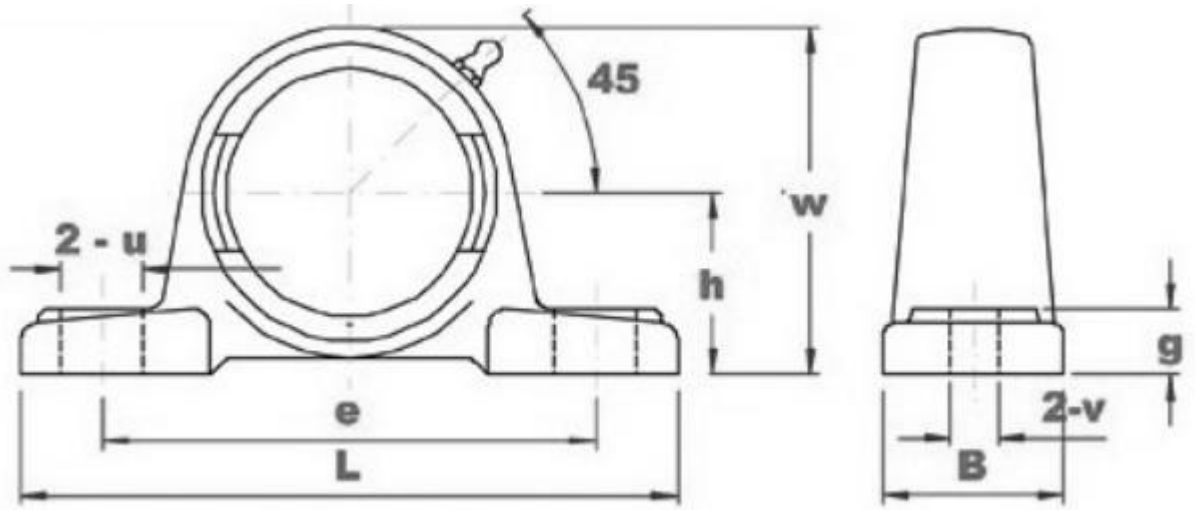
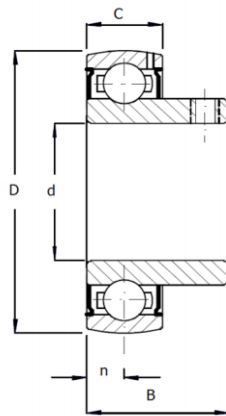


Silver Series Foot Mount Bearing Housing Product Dimension



	d	h	L	e	B	v	u	g	Weight (kg)
P000	10	18	67	53	16	7	7	6	0.035
P001	12	19	71	56	16	7	7	6	0.038
P002	15	22	80	63	16	7	7	7	0.043
P003	17	24	85	67	18	7	7	7	0.047
P004	20	28	100	80	20	10	10	9	0.055
P005	25	32	112	90	20	10	10	10	0.062
P006	30	36	132	106	26	13	13	11	0.07



	d	D	B1	C	S	B3	d1	Dynamic (N)	Static (kN)	Weight (kg)
U000	10	26	8	15	4	4.58	1.98	19000	21	0.14
U001	12	28	8	16	4	5.1	2.38	18000	28	0.135
U002	15	32	9	16.5	4.5	5.58	2.85	16000	36	0.13
U003	17	35	10	17.5	5	6.11	3.25	14000	48	0.15
U004	20	42	12	21	6	9.38	5.02	12000	88	0.15
U005	25	47	12	22	6	10.1	5.85	10000	102	0.22
U006	30	55	13	24.5	6.5	13.2	8.28	8500	153	0.22