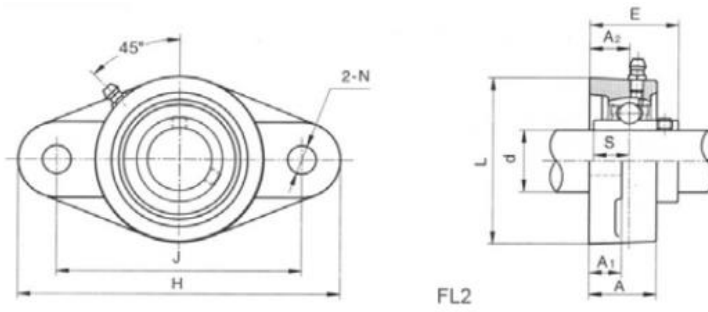
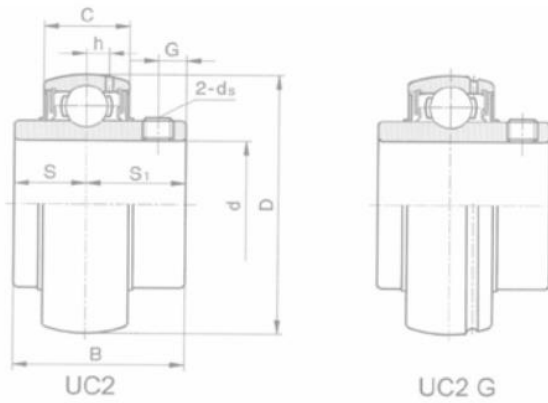


Stainless Steel 2 Bolt Flange Pillow Block Bearing Housing Product Dimension



	d	H	J	L	A2	A1	A	N	E	S	B	Weight (kg)
SSFL204	20	86	64	15	11	25.5	12	33.3	12.7	0.32	0.25	0.57
SSFL205	25	95	70	16	13	27	12	35.8	14.3	0.43	0.3	0.4
SSFL206	30	108	83	18	13	31	12	40.2	15.9	0.57	0.3	0.49
SSFL207	35	117	92	19	15	34	14	44.4	17.5	0.67	0.43	0.7
SSFL208	40	130	102	21	15	36	16	51.2	19	0.86	0.43	0.88
SSFL209	45	137	105	22	16	38	16	52.2	19	1.03	0.51	1.05
SSFL210	50	143	111	22	16	40	16	54.6	19	1.15	0.67	1.24



Dimension in (mm)										
	d	D	B	C	S	S1	G	Dynamic (kN)	Static (kN)	Weight (kg)
SSUC201	12	47	31	16	12.7	18.3	4.5	11	5.7	0.21
SSUC202	15	47	31	16	12.7	18.3	4.5	11	5.7	0.19
SSUC203	17	47	31	16	12.7	18.3	4.5	11	5.7	0.18
SSUC204	20	47	31	16	12.7	18.3	4.55	11	5.7	0.16
SSUC205	25	52	34.1	17	14.3	19.8	5	12	6.7	0.19
SSUC206	30	62	38.1	19	15.9	22.2	5	16.7	9.6	0.31
SSUC207	35	72	42.9	20	17.5	25.4	6	16.7	9.6	0.46
SSUC208	40	80	49.2	21	19	30.2	8	22	13.1	0.63
SSUC209	45	85	49.2	22	19	30.2	8	28	17	0.68
SSUC210	50	90	51.6	22	19	32.6	8	28.1	17.5	0.78
Dimension in (in)										
	d	D	B	C	S	S1	G	Dynamic (kN)	Static (kN)	Weight (kg)
SSUC201-8	0.5	1.853	1.221	0.629	0.5	0.721	0.177	11	5.7	0.21
SSUC202-10	0.625	1.853	1.221	0.629	0.5	0.721	0.177	11	5.7	0.42
SSUC204-12	0.75	1.85	1.221	0.629	0.5	0.721	0.177	11	5.7	0.35
SSUC205-16	1	2.047	1.3386	0.669	0.563	0.7756	0.197	12	6.7	0.47
SSUC206-20	1.25	2.441	1.5	0.748	0.626	0.874	0.197	16.7	9.6	0.7
SSUC207-20	1.25	2.8346	1.68	0.787	0.689	1	0.236	16.7	9.6	0.7
SSUC207-22	1.375	2.8346	1.68	0.787	0.689	1	0.236	22	13.1	0.47
SSUC207-23	1.4375	2.8346	1.68	0.787	0.689	1	0.236	22	13.1	1.03
SSUC208-24	1.5	3.1496	1.937	0.827	0.748	1.189	0.315	22	13.1	1.03
SSUC209-26	1.625	3.3465	1.937	0.866	0.748	1.189	0.315	28	17	1.41
SSUC209-28	0.6875	3.3465	1.937	0.866	0.748	1.189	0.315	28.1	17.5	0.67
SSUC210-32	0.9375	3.5433	2.0315	0.866	0.748	1.2835	0.354	28.1	17.5	1.5