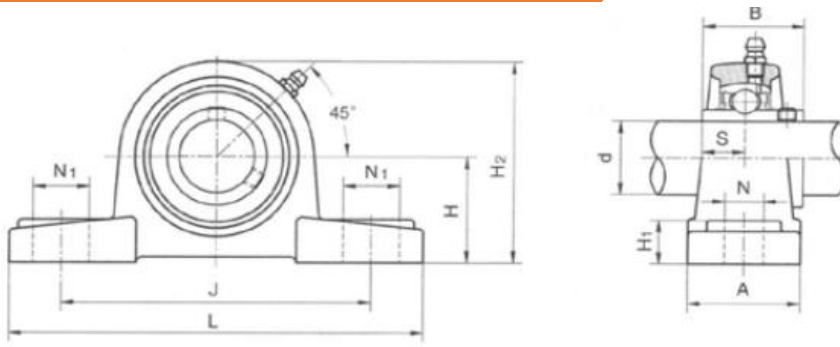
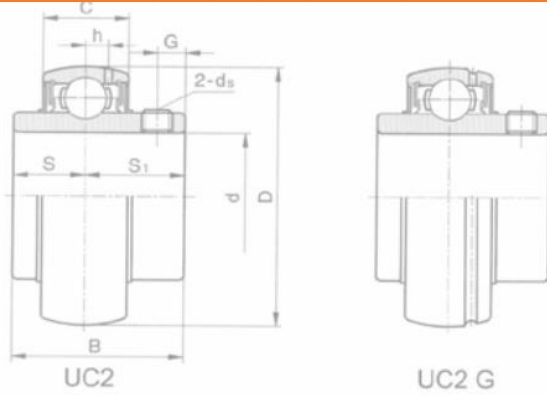


# Stainless Steel Foot Mount Pillow Block Bearing Housing Product Dimension



P2

	d	H	L	J	A	N1	N1	H1	H2	S	B	Weight (kg)
SSP204	20	33.3	127	95	38	13	19	14	65	12.7	31	0.4
SSP205	25	36.5	140	105	38	13	19	15	71	14.3	34.1	0.49
SSP206	30	42.9	165	121	48	17	21	17	83	15.9	38.1	0.7
SSP207	35	47.6	167	127	48	17	21	18	93	17.5	42.9	0.88
SSP208	40	49.2	184	137	54	17	21	18	98	19	49.2	1.05
SSP209	45	54	190	146	54	17	21	20	106	19	49.2	1.24
SSP210	50	57.2	206	159	60	20	25	21	114	19	51.6	1.6



UC2

UC2 G

Dimension in (mm)										
	d	D	B	C	S	S1	G	Dynamic (kN)	Static (kN)	Weight (kg)
SSUC201	12	47	31	16	12.7	18.3	4.5	11	5.7	0.21
SSUC202	15	47	31	16	12.7	18.3	4.5	11	5.7	0.19
SSUC203	17	47	31	16	12.7	18.3	4.5	11	5.7	0.18
SSUC204	20	47	31	16	12.7	18.3	4.55	11	5.7	0.16
SSUC205	25	52	34.1	17	14.3	19.8	5	12	6.7	0.19
SSUC206	30	62	38.1	19	15.9	22.2	5	16.7	9.6	0.31
SSUC207	35	72	42.9	20	17.5	25.4	6	16.7	9.6	0.46
SSUC208	40	80	49.2	21	19	30.2	8	22	13.1	0.63
SSUC209	45	85	49.2	22	19	30.2	8	28	17	0.68
SSUC210	50	90	51.6	22	19	32.6	8	28.1	17.5	0.78
Dimension in (in)										
	d	D	B	C	S	S1	G	Dynamic (kN)	Static (kN)	Weight (kg)
SSUC201-8	0.5	1.853	1.221	0.629	0.5	0.721	0.177	11	5.7	0.21
SSUC202-10	0.625	1.853	1.221	0.629	0.5	0.721	0.177	11	5.7	0.42
SSUC204-12	0.75	1.85	1.221	0.629	0.5	0.721	0.177	11	5.7	0.35
SSUC205-16	1	2.047	1.3386	0.669	0.563	0.7756	0.197	12	6.7	0.47
SSUC206-20	1.25	2.441	1.5	0.748	0.626	0.874	0.197	16.7	9.6	0.7
SSUC207-20	1.25	2.8346	1.68	0.787	0.689	1	0.236	16.7	9.6	0.7
SSUC207-22	1.375	2.8346	1.68	0.787	0.689	1	0.236	22	13.1	0.47
SSUC207-23	1.4375	2.8346	1.68	0.787	0.689	1	0.236	22	13.1	1.03
SSUC208-24	1.5	3.1496	1.937	0.827	0.748	1.189	0.315	22	13.1	1.03
SSUC209-26	1.625	3.3465	1.937	0.866	0.748	1.189	0.315	28	17	1.41
SSUC209-28	0.6875	3.3465	1.937	0.866	0.748	1.189	0.315	28.1	17.5	0.67
SSUC210-32	0.9375	3.5433	2.0315	0.866	0.748	1.2835	0.354	28.1	17.5	1.5