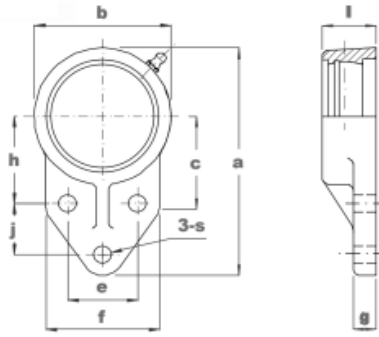
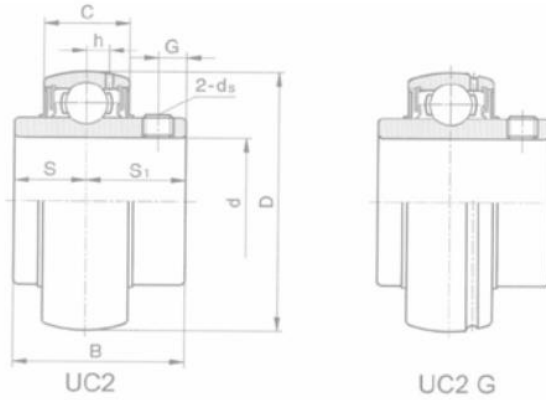


Thermoplastic Pillow 3 Bolt Flange Bearing Housing Product Dimension



	d	L	L1	L2	L3	N	N1	N2	H	H1	H2	A	A1	A2	S	B	Weight (kg)
SST204	20	94	61	10	51	19	32	16	89	76	51	32	12	21	12.7	31	0.42
SST205	25	97	62	10	51	19	32	16	89	76	51	32	12	24	14.3	34.1	0.46
SST206	30	113	70	10	57	22	37	16	102	89	56	37	12	28	15.9	38.1	0.67
SST207	35	129	78	13	64	22	37	16	102	89	64	37	12	30	17.5	42.9	0.81
SST208	40	144	88	16	83	29	49	19	114	102	83	49	16	33	19	49.2	1.16
SST209	45	144	87	16	83	29	49	19	117	102	83	49	16	35	19	49.2	1.19
SST210	50	149	90	16	86	29	49	19	117	102	83	49	16	37	19	51.6	1.18



	Dimension in (mm)								Dynamic (kN)	Static (kN)	Weight (kg)
	d	D	B	C	S	S1	G				
SSUC201	12	47	31	16	12.7	18.3	4.5	11	5.7	0.21	
SSUC202	15	47	31	16	12.7	18.3	4.5	11	5.7	0.19	
SSUC203	17	47	31	16	12.7	18.3	4.5	11	5.7	0.18	
SSUC204	20	47	31	16	12.7	18.3	4.55	11	5.7	0.16	
SSUC205	25	52	34.1	17	14.3	19.8	5	12	6.7	0.19	
SSUC206	30	62	38.1	19	15.9	22.2	5	16.7	9.6	0.31	
SSUC207	35	72	42.9	20	17.5	25.4	6	16.7	9.6	0.46	
SSUC208	40	80	49.2	21	19	30.2	8	22	13.1	0.63	
SSUC209	45	85	49.2	22	19	30.2	8	28	17	0.68	
SSUC210	50	90	51.6	22	19	32.6	8	28.1	17.5	0.78	
	Dimension in (in)								Dynamic (kN)	Static (kN)	Weight (kg)
	d	D	B	C	S	S1	G				
SSUC201-8	0.5	1.853	1.221	0.629	0.5	0.721	0.177	11	5.7	0.21	
SSUC202-10	0.625	1.853	1.221	0.629	0.5	0.721	0.177	11	5.7	0.42	
SSUC204-12	0.75	1.85	1.221	0.629	0.5	0.721	0.177	11	5.7	0.35	
SSUC205-16	1	2.047	1.3386	0.669	0.563	0.7756	0.197	12	6.7	0.47	
SSUC206-20	1.25	2.441	1.5	0.748	0.626	0.874	0.197	16.7	9.6	0.7	
SSUC207-20	1.25	2.8346	1.68	0.787	0.689	1	0.236	16.7	9.6	0.7	
SSUC207-22	1.375	2.8346	1.68	0.787	0.689	1	0.236	22	13.1	0.47	
SSUC207-23	1.4375	2.8346	1.68	0.787	0.689	1	0.236	22	13.1	1.03	
SSUC208-24	1.5	3.1496	1.937	0.827	0.748	1.189	0.315	22	13.1	1.03	
SSUC209-26	1.625	3.3465	1.937	0.866	0.748	1.189	0.315	28	17	1.41	
SSUC209-28	0.6875	3.3465	1.937	0.866	0.748	1.189	0.315	28.1	17.5	0.67	
SSUC210-32	0.9375	3.5433	2.0315	0.866	0.748	1.2835	0.354	28.1	17.5	1.5	