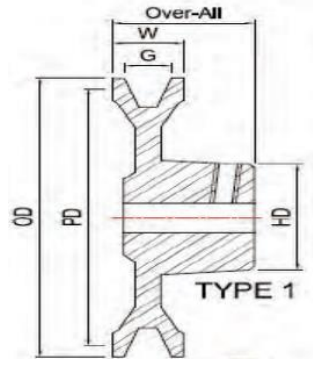
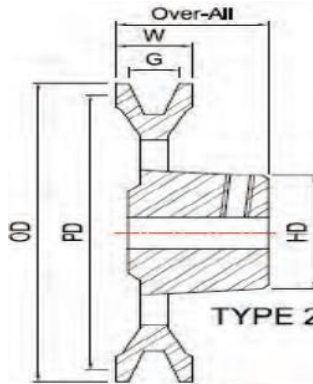


Aluminium V-Pulley A Section



Inch	mm	No of grooves	Type	OD	W	HD	G	Over-All	LTB	Grub screw
1.25	32	1	1	41	19	35	12.7	38	34	5/16" UNC
1.5	38	1	1	49	19	35	12.7	38	34	5/16" UNC
1.75	44	1	1	54	19	39	12.7	38	34	5/16" UNC
2	50	1	1	61	19	40	12.7	38	34	5/16" UNC
2.25	57	1	1	67	19	39	12.7	38	33	5/16" UNC
2.5	63	1	1	74	19	43	12.7	55	33	5/16" UNC
2.75	70	1	1	79	19	43	12.7	36	32	5/16" UNC
3	76	1	1	86	19	43	12.7	38	35	5/16" UNC
3.25	82	1	1	92	19	45	12.7	48	35	5/16" UNC
3.5	89	1	1	99	19	44	12.7	36	35	5/16" UNC
4	102	1	1	112	19	46	12.7	48	47	5/16" UNC
4.5	114	1	1	124	19	47	12.7	38	35	5/16" UNC
5	127	1	1	137	19	48	12.7	40	37	5/16" UNC



Inch	mm	No of grooves	Type	OD	W	HD	G	Over-All	LTB	Grub screw
5.5	140	1	2	150	19	49	12.7	40	36	5/16" UNC
6	152	1	2	163	19	49	12.7	40	37	5/16" UNC
6.5	165	1	2	176	19	52	12.7	40	37	5/16" UNC
7	178	1	2	189	19	57	12.7	40	38	5/16" UNC
8	203	1	2	215	20	55	12.7	45	42	5/16" UNC
9	229	1	2	248	20	55	12.7	44	42	5/16" UNC
10	254	1	2	265	20	55	12.7	49	47	5/16" UNC
12	305	1	2	315	20	58	12.7	48	45	5/16" UNC
14	355	1	2	369	21	66	12.7	62	49	5/16" UNC
15	381	1	2	393	20	67	12.7	62	60	5/16" UNC
16	406	1	2	420	22	66	12.7	60	59	5/16" UNC
18	457	1	2	471	22	75	12.7	66	63	5/16" UNC