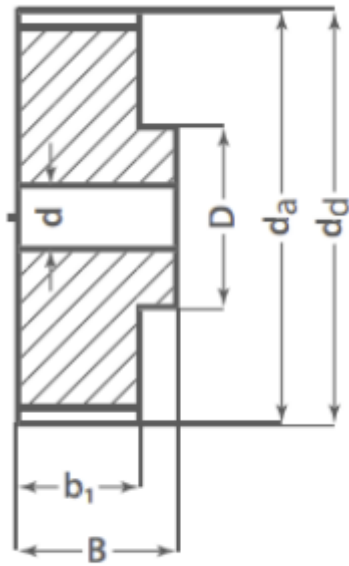
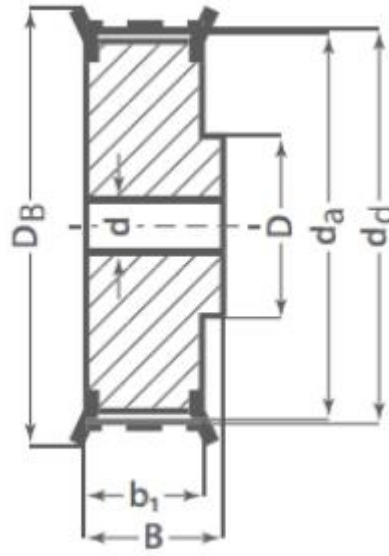


T10 Metric Timing Pulley (Pilot Bore)



Type 6



Type 6F

Part No.	Type	Material	No. Teeth	d(d)	d(a)	D(B)	b(1)	B (mm)	D (mm)	Pilot Bore d (mm)	Max Bore	Kg
31-T10-12PB	6F	AL	12	38.2	36.35	42	21	31	28	6	16	0.076
31-T10-14PB	6F	AL	14	44.56	42.7	48	21	31	32	8	18	0.104
31-T10-15PB	6F	AL	15	47.75	45.9	51	21	31	32	8	18	0.116
31-T10-16PB	6F	AL	16	50.93	49.05	54	21	31	35	8	20	0.134
31-T10-18PB	6F	AL	18	57.29	55.45	60	21	31	40	8	22	0.167
31-T10-19PB	6F	AL	19	60.48	58.6	66	21	31	44	8	22	0.184
31-T10-20PB	6F	AL	20	63.66	61.8	66	21	31	46	8	24	0.208
31-T10-22PB	6F	AL	22	70.03	68.15	75	21	31	52	8	28	0.253
31-T10-24PB	6F	AL	24	76.39	74.55	83	21	31	58	8	30	0.288
31-T10-25PB	6F	AL	25	79.58	77.7	83	21	31	60	8	30	0.31
31-T10-26PB	6F	AL	26	82.76	80.9	87	21	31	60	8	30	0.357
31-T10-27PB	6F	AL	27	85.95	84.1	91	21	31	60	8	30	0.364
31-T10-28PB	6F	AL	28	89.13	87.25	93	21	31	60	8	30	0.401
31-T10-30PB	6F	AL	30	95.49	93.65	97	21	31	60	8	30	0.441
31-T10-32PB	6F	AL	32	101.9	100	106	21	31	65	10	32	0.493
31-T10-36PB	6F	AL	36	114.6	112.8	119	21	31	70	10	35	0.623
31-T10-40PB	6F	AL	40	127.3	125.5	131	21	31	80	10	40	0.767
31-T10-44PB	6	AL	44	140.1	138.2	-	21	31	88	10	46	0.993
31-T10-48PB	6	AL	48	152.8	151	-	21	31	95	16	48	1.09
31-T10-60PB	6	AL	60	191	189.1	-	21	31	110	16	60	1.71

T10 Metric Timing Pulley (Pilot Bore)



Part No.	Type	Material	No. Teeth	d(d)	d(a)	D(B)	b(1)	B (mm)	D (mm)	Pilot Bore d (mm)	Max Bore	Kg
40-T10-12PB	6F	AL	12	38.2	36.35	42	30	40	28	6	16	0.099
40-T10-14PB	6F	AL	14	44.56	42.7	48	30	40	32	8	18	0.134
40-T10-15PB	6F	AL	15	47.75	45.9	51	30	40	32	8	18	0.152
40-T10-16PB	6F	AL	16	50.93	49.05	54	30	40	35	8	20	0.176
40-T10-18PB	6F	AL	18	57.29	55.45	60	30	40	40	8	22	0.224
40-T10-19PB	6F	AL	19	60.48	58.6	66	30	40	44	8	22	0.247
40-T10-20PB	6F	AL	20	63.66	61.8	66	30	40	46	8	24	0.276
40-T10-22PB	6F	AL	22	70.03	68.15	75	30	40	52	8	28	0.337
40-T10-24PB	6F	AL	24	76.39	74.55	83	30	40	58	8	30	0.392
40-T10-25PB	6F	AL	25	79.58	77.7	83	30	40	60	8	30	0.422
40-T10-26PB	6F	AL	26	82.76	80.9	87	30	40	60	8	30	0.477
40-T10-27PB	6F	AL	27	85.95	84.1	91	30	40	60	8	30	0.536
40-T10-28PB	6F	AL	28	89.13	87.25	93	30	40	60	8	30	0.54
40-T10-30PB	6F	AL	30	95.49	93.65	97	30	40	60	8	30	0.64
40-T10-32PB	6F	AL	32	101.9	100	106	30	40	65	10	32	0.693
40-T10-36PB	6F	AL	36	114.6	112.8	119	30	40	70	10	35	0.873
40-T10-40PB	6F	AL	40	127.3	125.5	131	30	40	80	10	40	1.067
40-T10-44PB	6	AL	44	140.1	138.2	-	30	40	88	10	46	1.35
40-T10-48PB	6	AL	48	152.8	151	-	30	40	95	16	48	1.516
40-T10-60PB	6	AL	60	191	189.1	-	30	40	110	16	60	2.339
47-T10-18PB	6F	AL	18	57.29	55.45	60	37	47	40	10	22	0.253
47-T10-19PB	6F	AL	19	60.48	58.6	66	37	47	44	10	22	0.286
47-T10-20PB	6F	AL	20	63.66	61.8	66	37	47	46	12	24	0.322
47-T10-22PB	6F	AL	22	70.03	68.15	75	37	47	52	12	28	0.393
47-T10-24PB	6F	AL	24	76.39	74.55	83	37	47	58	12	30	0.475
47-T10-25PB	6F	AL	25	79.58	77.7	83	37	47	60	12	30	0.527
47-T10-26PB	6F	AL	26	82.76	80.9	87	37	47	60	12	30	0.564
47-T10-27PB	6F	AL	27	85.95	84.1	91	37	47	60	12	30	0.602
47-T10-28PB	6F	AL	28	89.13	87.25	93	37	47	60	12	30	0.642
47-T10-30PB	6F	AL	30	95.49	93.65	97	37	47	60	12	30	0.74
47-T10-32PB	6F	AL	32	101.9	100	106	37	47	65	12	32	0.844
47-T10-36PB	6F	AL	36	114.6	112.8	119	37	47	70	16	35	1.083
47-T10-40PB	6F	AL	40	127.3	125.5	131	37	47	80	16	40	1.317
47-T10-44PB	6	AL	44	140.1	138.2	-	37	47	88	16	46	1.611
47-T10-48PB	6	AL	48	152.8	151	-	37	47	95	16	48	1.931
47-T10-60PB	6	AL	60	191	189.1	-	37	47	110	16	60	3.004
66-T10-18PB	6F	AL	18	57.29	55.45	60	56	66	40	10	22	0.422
66-T10-19PB	6F	AL	19	60.48	58.6	66	56	66	44	10	22	0.466
66-T10-20PB	6F	AL	20	63.66	61.8	66	56	66	46	12	24	0.52
66-T10-22PB	6F	AL	22	70.03	68.15	75	56	66	52	12	28	0.57
66-T10-24PB	6F	AL	24	76.39	74.55	83	56	66	58	12	30	0.736
66-T10-25PB	6F	AL	25	79.58	77.7	83	56	66	60	12	30	0.766
66-T10-26PB	6F	AL	26	82.76	80.9	87	56	66	60	12	30	0.816
66-T10-27PB	6F	AL	27	85.95	84.1	91	56	66	60	12	30	0.946
66-T10-28PB	6F	AL	28	89.13	87.25	93	56	66	60	12	30	0.96
66-T10-30PB	6F	AL	30	95.49	93.65	97	56	66	60	12	30	1.169
66-T10-32PB	6F	AL	32	101.9	100	106	56	66	65	12	32	1.3
66-T10-36PB	6F	AL	36	114.6	112.8	119	56	66	70	16	35	1.637
66-T10-40PB	6F	AL	40	127.3	125.5	131	56	66	80	16	40	1.999
66-T10-44PB	6	AL	44	140.1	138.2	-	56	66	88	16	46	2.357
66-T10-48PB	6	AL	48	152.8	151	-	56	66	95	16	48	2.83
66-T10-60PB	6	AL	60	191	189.1	-	56	66	110	16	60	4.366