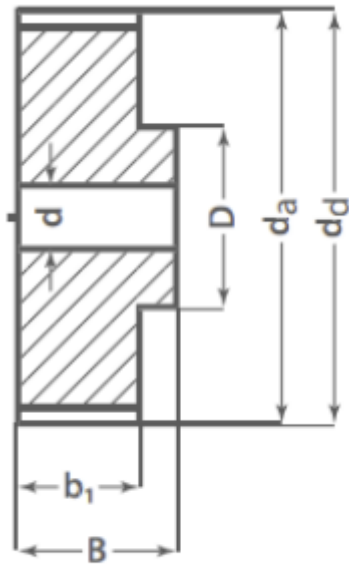
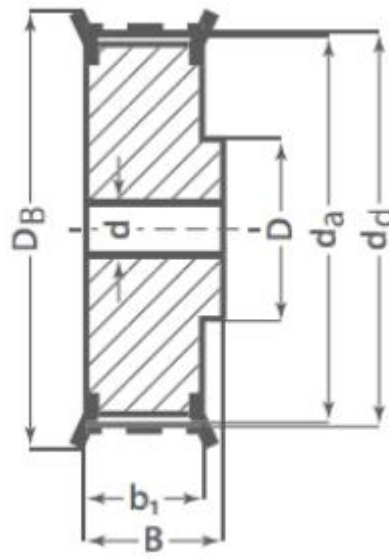


T5 Metric Timing Pulley (Pilot Bore)



Type 6



Type 6F

Part No.	Type	Material	No. Teeth	d(d)	d(a)	D(B)	b(1)	B (mm)	D (mm)	Pilot Bore d (mm)	Max Bore	Kg
21-T5-10PB	6F	AL	10	15.92	15.05	19.5	15	21	8	-	5	0.012
21-T5-12PB	6F	AL	12	19.01	18.25	23	15	21	10	-	6	0.016
21-T5-14PB	6F	AL	14	22.29	21.45	25	15	21	13	-	8	0.019
21-T5-15PB	6F	AL	15	23.88	23.05	28	15	21	16	6	10	0.021
21-T5-16PB	6F	AL	16	25.47	24.6	32	15	21	18	6	11	0.025
21-T5-18PB	6F	AL	18	28.65	27.8	32	15	21	19	6	12	0.031
21-T5-19PB	6F	AL	19	30.25	29.4	36	15	21	22	6	12	0.036
21-T5-20PB	6F	AL	20	31.83	31	36	15	21	23	6	14	0.038
21-T5-22PB	6F	AL	22	35.12	34.25	38	15	21	24	6	15	0.046
21-T5-24PB	6F	AL	24	38.21	37.4	42	15	21	26	6	15	0.054
21-T5-25PB	6F	AL	25	39.8	39	44	15	21	26	6	15	0.058
21-T5-26PB	6F	AL	26	41.47	40.6	44	15	21	26	6	16	0.062
21-T5-27PB	6F	AL	27	42.98	42.2	48	15	21	30	8	18	0.064
21-T5-28PB	6F	AL	28	44.62	43.75	48	15	21	32	8	18	0.071
21-T5-30PB	6F	AL	30	47.76	46.95	51	15	21	34	8	18	0.075
21-T5-32PB	6F	AL	32	50.94	50.1	54	15	21	38	8	22	0.088
21-T5-36PB	6F	AL	36	57.31	56.45	63	15	21	38	8	22	0.114
21-T5-40PB	6F	AL	40	63.66	62.85	66	15	21	40	8	23	0.138
21-T5-42PB	6F	AL	42	66.87	66	71	15	21	40	8	24	0.18
21-T5-44PB	6	AL	44	70.07	69.2	-	15	21	45	8	26	0.185
21-T5-48PB	6	AL	48	76.42	75.55	-	15	21	50	8	28	0.2
21-T5-60PB	6	AL	60	95.52	94.65	-	15	21	65	8	35	0.307

T5 Metric Timing Pulley (Pilot Bore)



Part No.	Type	Material	No. Teeth	d(d)	d(a)	D(B)	b(1)	B (mm)	D (mm)	Pilot Bore d (mm)	Max Bore	Kg
27-T5-10PB	6F	AL	10	15.92	15.05	19.5	21	27	8	-	5	0.016
27-T5-12PB	6F	AL	12	19.01	18.25	23	21	27	10	-	6	0.022
27-T5-14PB	6F	AL	14	22.29	21.45	25	21	27	13	-	8	0.026
27-T5-15PB	6F	AL	15	23.88	23.05	28	21	27	16	6	10	0.029
27-T5-16PB	6F	AL	16	25.47	24.6	32	21	27	18	6	11	0.035
27-T5-18PB	6F	AL	18	28.65	27.8	32	21	27	19	6	12	0.043
27-T5-19PB	6F	AL	19	30.25	29.4	36	21	27	22	6	12	0.049
27-T5-20PB	6F	AL	20	31.83	31	36	21	27	23	6	14	0.053
27-T5-22PB	6F	AL	22	35.12	34.25	38	21	27	24	6	15	0.054
27-T5-24PB	6F	AL	24	38.21	37.4	42	21	27	26	6	15	0.076
27-T5-25PB	6F	AL	25	39.8	39	44	21	27	26	6	15	0.081
27-T5-26PB	6F	AL	26	41.47	40.6	44	21	27	26	6	16	0.085
27-T5-27PB	6F	AL	27	42.98	42.2	-	21	27	30	8	18	0.09
27-T5-28PB	6F	AL	28	44.62	43.75	48	21	27	32	8	18	0.092
27-T5-30PB	6F	AL	30	47.76	46.95	51	21	27	34	8	18	0.105
27-T5-32PB	6F	AL	32	50.94	50.1	54	21	27	38	8	22	0.123
27-T5-36PB	6F	AL	36	57.31	56.45	63	21	27	38	8	22	0.16
27-T5-40PB	6F	AL	40	63.66	62.85	66	21	27	40	8	23	0.193
27-T5-42PB	6F	AL	42	66.87	66	71	21	27	40	8	24	0.205
27-T5-44PB	6	AL	44	70.07	69.2	-	21	27	45	8	26	0.228
27-T5-48PB	6	AL	48	76.42	75.55	-	21	27	50	8	28	0.28
27-T5-60PB	6	AL	60	95.52	94.65	-	21	27	65	8	35	0.43
36-T5-10PB	6F	AL	10	15.92	15.05	19.5	30	36	8	-	5	0.023
36-T5-12PB	6F	AL	12	19.01	18.25	23	30	36	10	-	6	0.031
36-T5-14PB	6F	AL	14	22.29	21.45	25	30	36	13	-	8	0.037
36-T5-15PB	6F	AL	15	23.88	23.05	28	30	36	16	6	10	0.041
36-T5-16PB	6F	AL	16	25.47	24.6	32	30	36	18	6	11	0.05
36-T5-18PB	6F	AL	18	28.65	27.8	32	30	36	19	6	12	0.061
36-T5-19PB	6F	AL	19	30.25	29.4	36	30	36	22	6	12	0.07
36-T5-20PB	6F	AL	20	31.83	31	36	30	36	23	6	14	0.76
36-T5-22PB	6F	AL	22	35.12	34.25	38	30	36	24	6	15	0.8
36-T5-24PB	6F	AL	24	38.21	37.4	42	30	36	26	6	15	0.109
36-T5-25PB	6F	AL	25	39.8	39	44	30	36	26	6	15	0.116
36-T5-26PB	6F	AL	26	41.47	40.6	44	30	36	26	6	16	0.12
36-T5-27PB	6F	AL	27	42.98	42.2	48	30	36	30	8	18	0.128
36-T5-28PB	6F	AL	28	44.62	43.75	48	30	36	32	8	18	0.135
36-T5-30PB	6F	AL	30	47.76	46.95	51	30	36	34	8	18	0.15
36-T5-32PB	6F	AL	32	50.94	50.1	54	30	36	38	8	22	0.176
36-T5-36PB	6F	AL	36	57.31	56.45	63	30	36	38	8	22	0.23
36-T5-40PB	6F	AL	40	63.66	62.85	66	30	36	40	8	23	0.273
36-T5-42PB	6F	AL	42	66.87	66	71	30	36	40	8	24	0.284
36-T5-44PB	6	AL	44	70.07	69.2	-	30	36	45	8	26	0.315
36-T5-48PB	6	AL	48	76.42	75.55	-	30	36	50	8	28	0.4
36-T5-60PB	6	AL	60	95.52	94.65	-	30	36	65	8	35	0.614