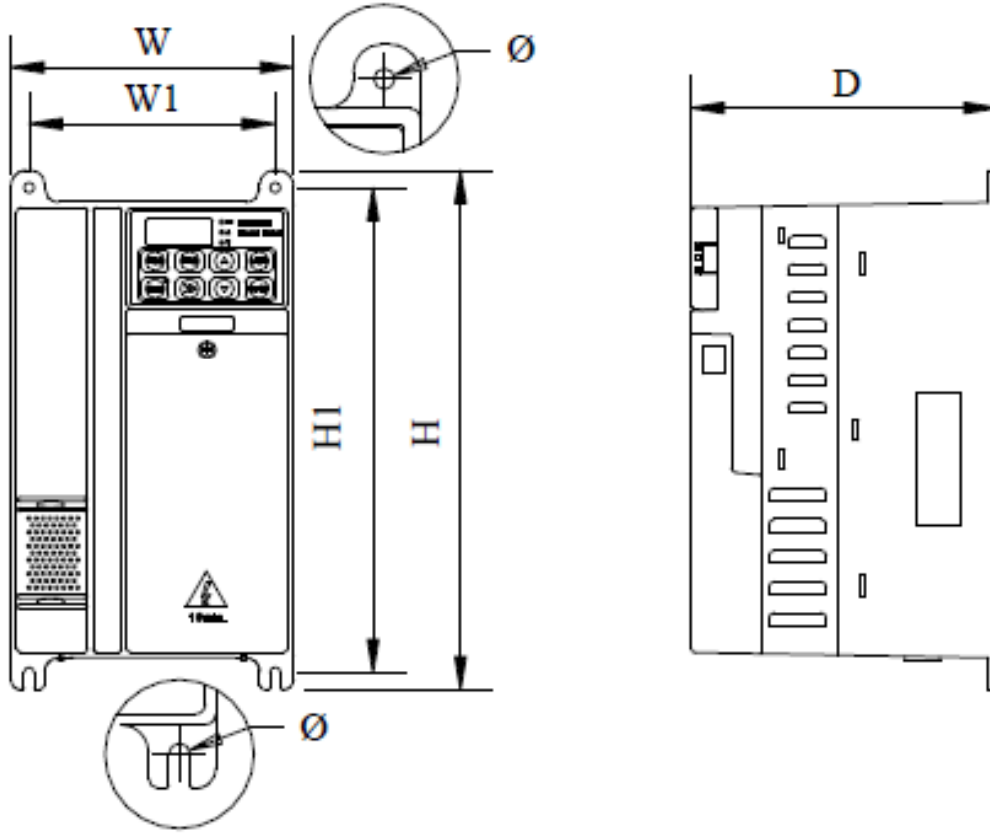


# SHD700 Single Phase Product Dimension



Model Number	W (mm)	H (mm)	D (mm)	W1 (mm)	H1 (mm)	Mounting HoleØ	Weight (kg)
SHD700-0.4-1Ph-IP20-220	97.4	202.4	148.8	80	190	5	1.4
SHD700-0.75-1Ph-IP20-220	97.4	202.4	148.8	80	190	5	1.4
SHD700-1.5-1Ph-IP20-220	97.4	202.4	148.8	80	190	5	1.4
SHD700-2.2-1Ph-IP20-220	142.4	220.4	155.5	123.5	208	5	2.2
SHD700-4-1Ph-IP20-220	163.1	300	176.8	142	280	6	4.5