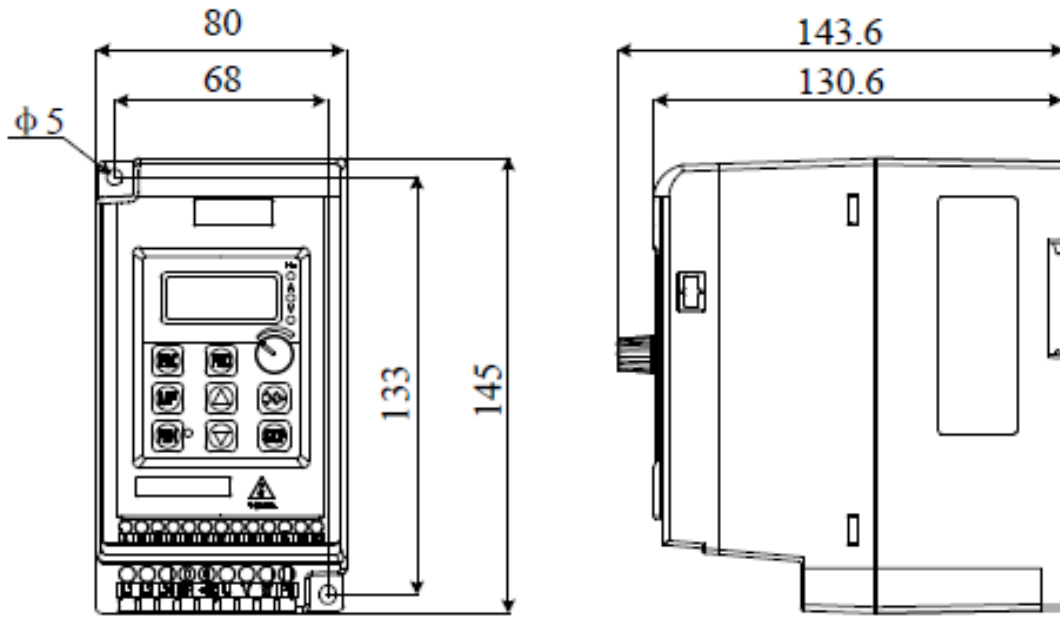


SHD71 Single Phase Product Dimension



Model Number	W (mm)	H (mm)	D (mm)	A (mm)	B (mm)	Mounting Hole ϕ	Weight (kg)
SHD71-0.4-1Ph-IP20-220	80	145	143.6	133	68	$\phi 5$	1.6
SHD71-0.75-1Ph-IP20-220	80	145	143.6	133	68	$\phi 5$	1.6
SHD71-1.1-1Ph-IP20-220	80	145	143.6	133	68	$\phi 5$	1.6