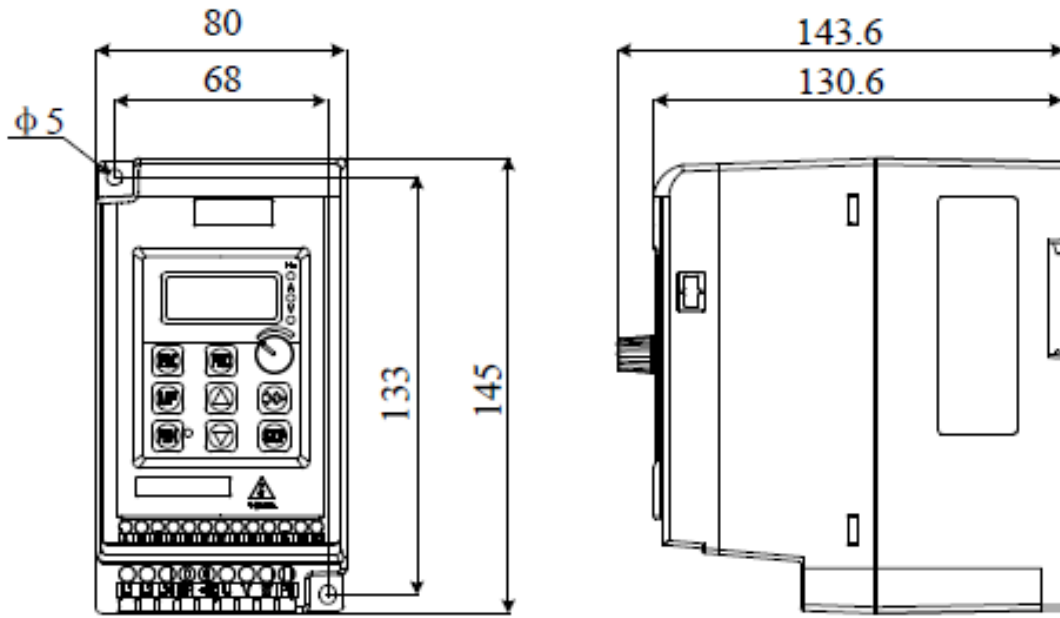


SHD71 Three Phase Product Dimension



Model Number	W (mm)	H (mm)	D (mm)	A (mm)	B (mm)	Mounting Hole ϕ	Weight (kg)
SHD71-0.4-3Ph-IP20-380	80	145	143.6	133	68	$\phi 5$	1.6
SHD71-0.75-3Ph-IP20-380	80	145	143.6	133	68	$\phi 5$	1.6
SHD71-1.5-3Ph-IP20-380	80	145	143.6	133	68	$\phi 5$	1.6