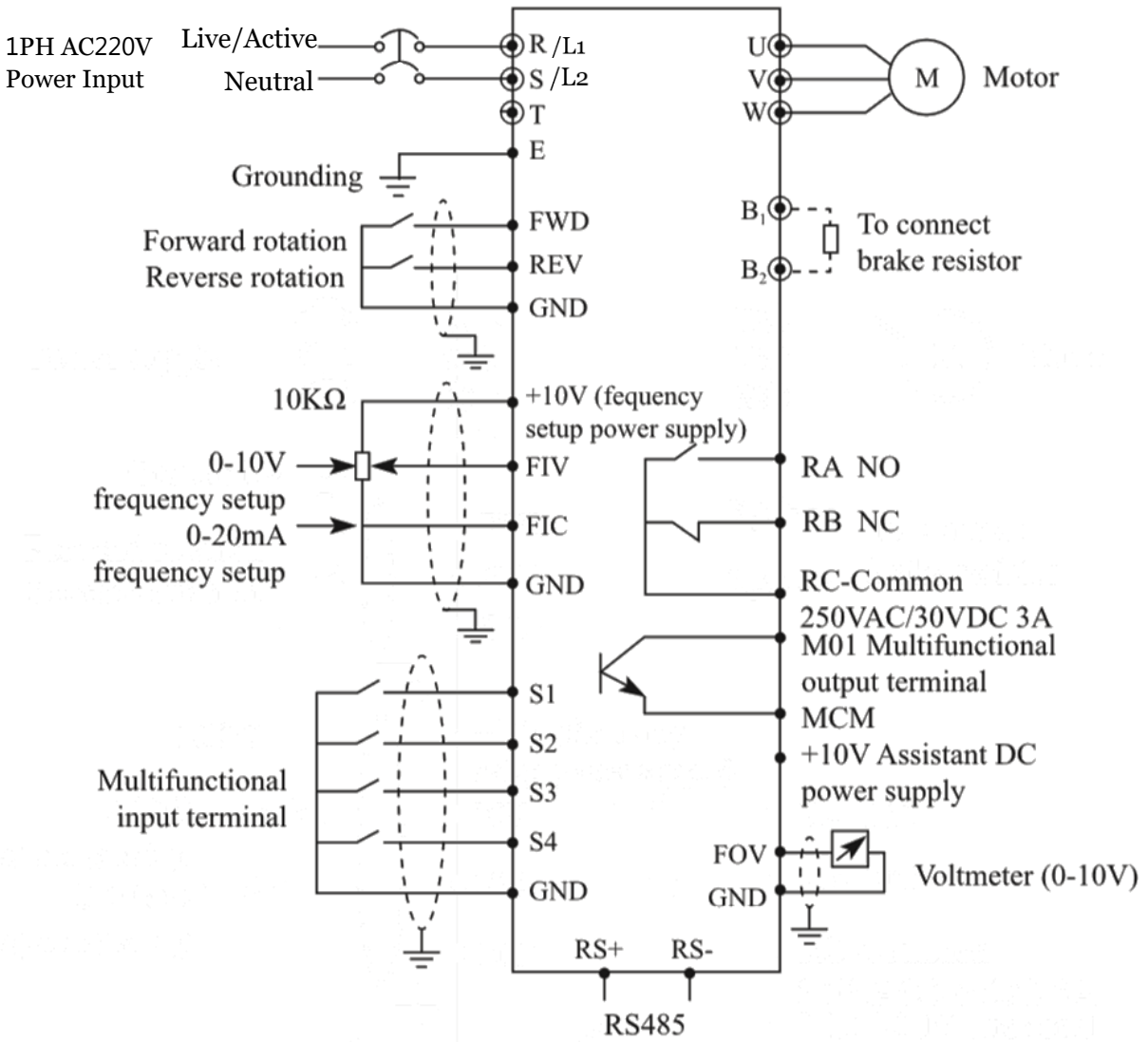


# SS900 Single Phase Wiring Diagram



- Main circuit terminals power
- Control loop
-  Please use shielded cable