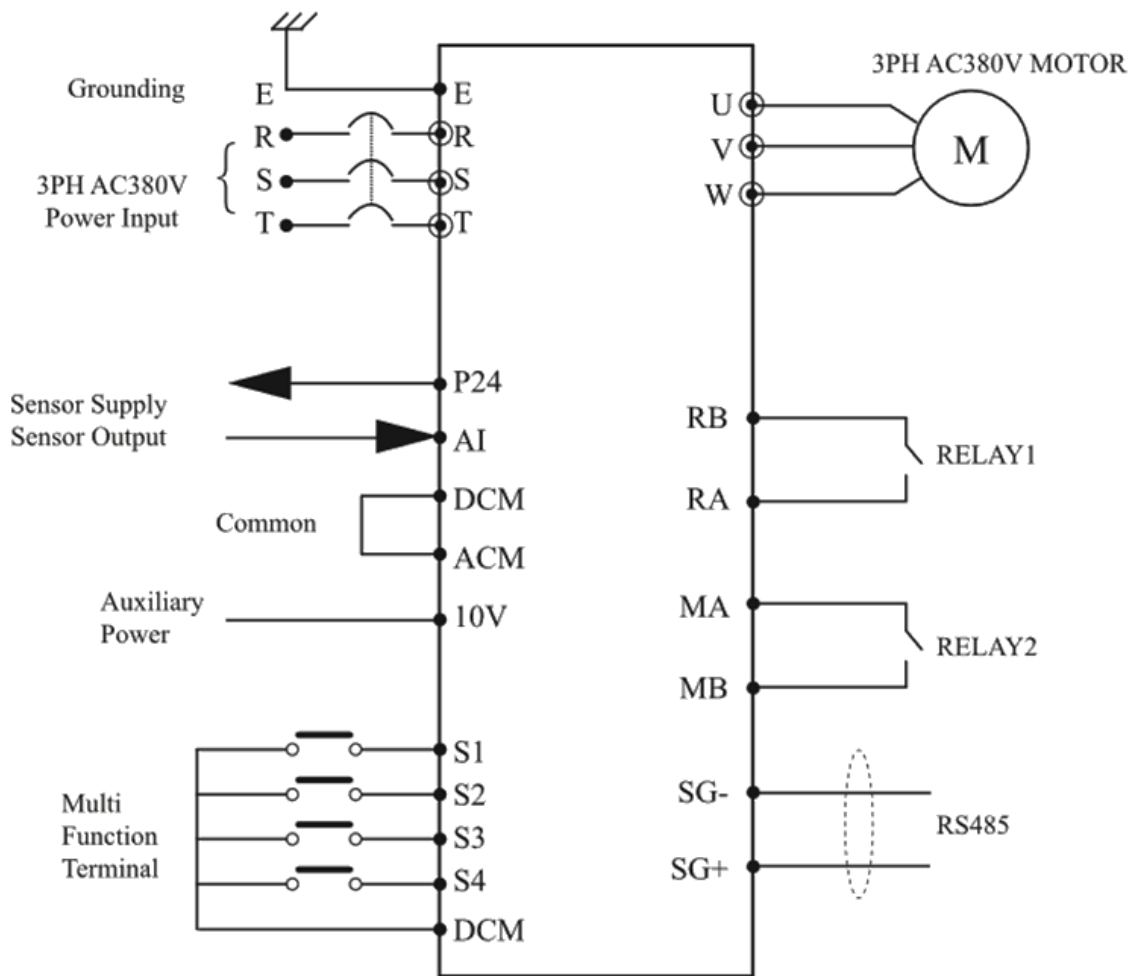


SS2100 0.75-2.2kW Three Phase Wiring Diagram



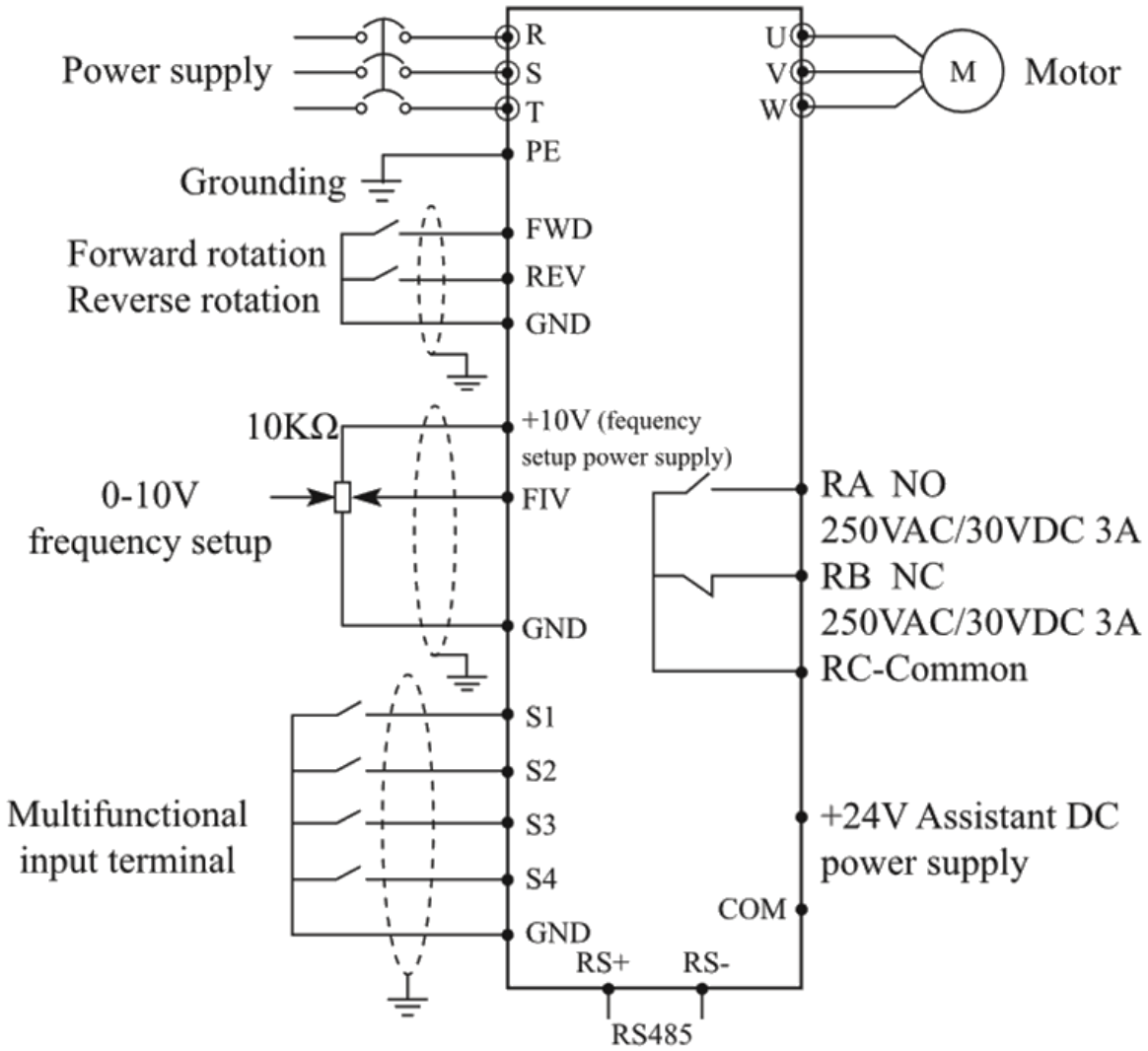
⊙ Main circuit terminals power

• Control loop



Please use shielded cable

SS2100 3.7-11kW Three Phase Wiring Diagram



● Main circuit terminals power

• Control loop



Please use shielded cable