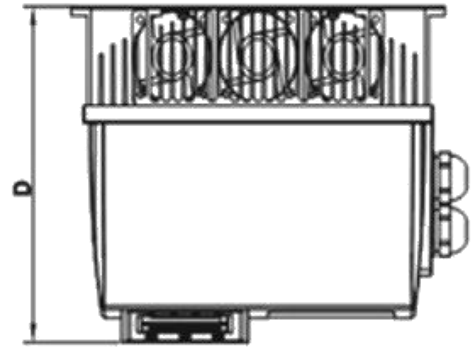
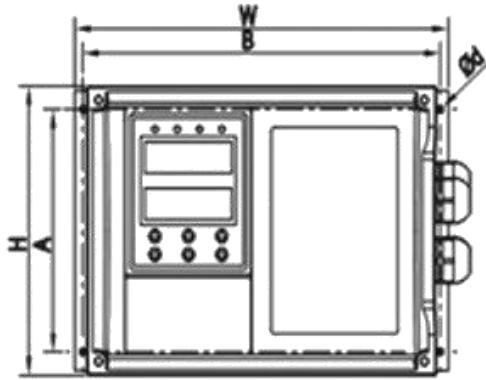


SS2100 Single Phase Product Dimension



Model Number	W (mm)	H (mm)	D (mm)	A (mm)	B (mm)	Mounting Hole \varnothing	Weight (kg)
SS2100-0.75-1Ph-IP65-220	188	122	134	105	178	$\varnothing 4$	1.6
SS2100-1.5-1Ph-IP65-220	188	122	134	105	178	$\varnothing 4$	1.6
SS2100-2.2-1Ph-IP65-220	188	122	134	105	178	$\varnothing 4$	1.6