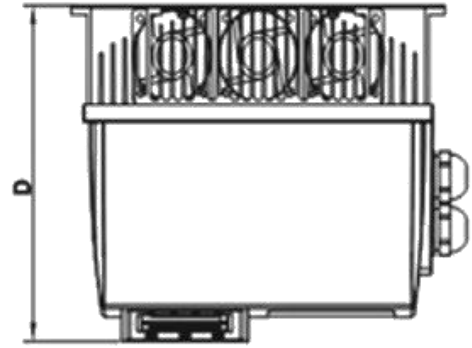
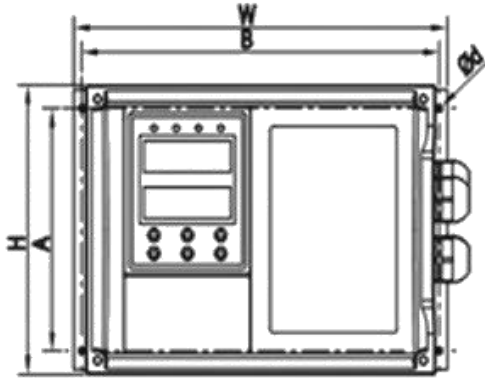


SS2100 Three Phase Product Dimension



Model Number	W (mm)	H (mm)	D (mm)	A (mm)	B (mm)	Mounting Hole Φ	Weight (kg)
SS2100-0.75-3Ph-IP65-380	188	122	134	105	178	$\Phi 4$	1.6
SS2100-1.5-3Ph-IP65-380	188	122	134	105	178	$\Phi 4$	1.6
SS2100-2.2-3Ph-IP65-380	188	122	134	105	178	$\Phi 4$	1.6
SS2100-3.7-3Ph-IP65-380	235	154	179	129	225	$\Phi 4$	2.9
SS2100-5.5-3Ph-IP65-380	235	154	179	129	225	$\Phi 4$	3
SS2100-7.5-3Ph-IP65-380	235	154	179	129	225	$\Phi 4$	3
SS2100-11-3Ph-IP65-380	235	154	179	129	225	$\Phi 4$	3.1