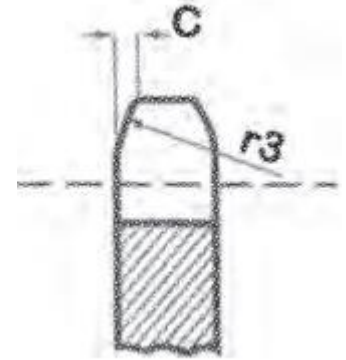
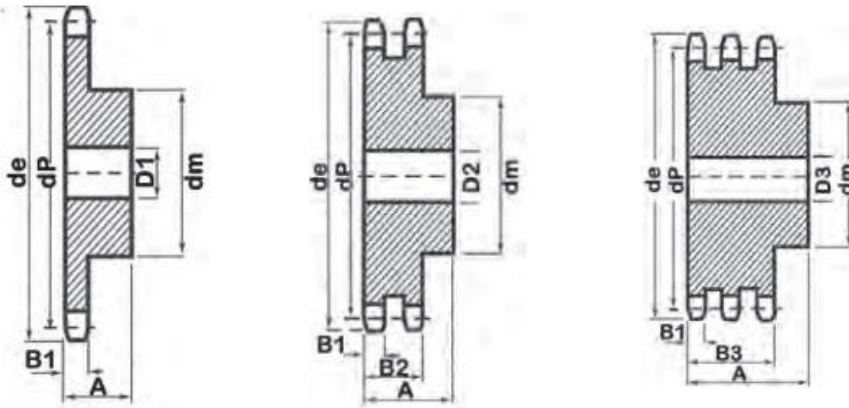


08B-1-2-3 Sprocket Product Dimension



Teeth	Simplex						Duplex				Triplex			
	de	dp	dm	D1	A	App. Kg	dm	D2	A	app. Kg	dm	D3	A	App. Kg
8	38	33.18	20	10	25	0.13	-	-	-	-	-	-	-	-
9	42	37.13	24	10	25	0.14	24	10	32	0.18	-	-	-	-
10	45.9	41.1	26	10	25	0.15	28	10	32	0.22	-	-	-	-
11	49.9	45.07	29	10	25	0.17	32	12	35	0.24	-	-	-	-
12	53.9	49.07	33	10	28	0.24	35	12	35	0.26	-	-	-	-
13	57.9	53.06	37	10	28	0.25	38	12	35	0.28	38	16	50	0.59
14	61.9	57.07	41	10	28	0.31	42	12	35	0.34	42	16	50	0.72
15	65.9	61.09	45	10	28	0.33	46	12	35	0.36	46	16	50	0.81
16	69.9	65.1	50	12	28	0.37	50	16	38	0.4	50	16	50	0.9
17	74	69.11	52	12	28	0.51	54	16	38	0.44	54	16	50	1.04
18	78	73.14	56	12	28	0.54	58	16	38	0.49	58	16	50	1.22
19	82	77.16	60	12	28	0.65	62	16	38	0.57	62	16	50	1.41
20	86	81.19	64	12	28	0.76	66	16	38	0.65	66	16	50	1.58
21	90.1	85.22	68	14	28	0.82	70	16	40	0.72	70	16	55	1.81
22	94.1	89.24	70	14	28	0.88	70	16	40	0.8	70	16	55	2.03
23	98.1	93.27	70	14	28	1.05	70	16	40	0.83	70	16	55	2.27
24	102.1	97.29	70	14	28	1.07	75	16	40	0.94	75	16	55	2.44
25	106.2	101.3	70	14	28	1.13	80	16	40	0.98	80	16	55	2.54
26	110.2	105.4	70	16	30	1.15	85	16	40	1.04	85	20	55	OA
27	114.2	109.4	70	16	30	1.19	85	16	40	1.08	85	20	55	2.85
28	118.3	113.4	70	16	30	1.3	90	16	40	1.1	90	20	55	3.16
29	121	117.5	80	11	30	OA	95	20	40	OA	95	20	55	OA
30	126.3	121.5	80	16	30	1.36	100	16	40	1.16	95	20	55	3.48
31	130.4	125.5	90	16	30	1.41	100	120	40	OA	-	-	-	-
32	134.4	129.6	90	16	30	1.46	100	20	40	1.24	-	-	-	-
33	138.4	133.6	90	16	30	1.51	100	20	40	OA	-	-	-	-
34	142.5	137.6	90	16	30	1.56	100	20	40	1.33	-	-	-	-
35	146.5	141.7	90	16	30	1.61	100	20	40	OA	-	-	-	-
36	150.6	145.7	90	16	35	1.69	100	20	40	2.05	-	-	-	-
37	154.6	149.8	90	16	35	1.74	100	20	40	OA	-	-	-	-
38	158.6	153.8	90	16	35	1.78	100	20	40	2.17	120	25	55	6.49
39	162.7	157.8	90	16	35	1.83	100	20	40	OA	-	-	-	-
40	166.7	161.9	90	16	35	1.88	100	20	40	2.28	-	-	-	-
41	171	165.9	-	-	-	-	110	20	50	OA	-	-	-	-
42	176.5	170	90	19	35	1.97	110	20	50	2.32	-	-	-	-
43	179	174	-	-	-	-	110	20	50	OA	-	-	-	-
44	185	178	-	-	-	-	110	20	50	OA	-	-	-	-
45	188.6	182.1	90	19	35	2.11	110	20	50	2.49	-	-	-	-
46	193	186.1	-	-	-	-	110	20	50	OA	-	-	-	-
48	200.7	194.2	100	19	35	2.76	110	20	45	2.65	-	-	-	-
50	208.8	202.3	88	20	42	2.9	-	-	-	-	-	-	-	-
55	229	222.5	88	20	42	3.15	-	-	-	-	-	-	-	-
57	233.1	230.5	100	19	35	3.28	110	25	45	3.88	120	25	60	12.62
60	249.2	242.7	100	19	35	3.45	-	-	-	-	-	-	-	-
76	313.9	307.3	100	19	35	5.73	120	30	45	6.6	130	30	65	22.23
95	390.7	384.1	100	25	35	8.9	120	30	45	9.89	-	-	-	-
114	467.4	460.9	100	25	35	11.17	120	30	45	12.88	-	-	-	-

Pinions	mm
Tooth Radius	r3
Radius Width	C
Tooth Width	B1 7.2
Tooth Width	b1
Tooth Width	B2 21
Tooth Width	B3 34.9

Chain	mm
Pitch	12.7
Inside	7.75
Roller ø	8.51