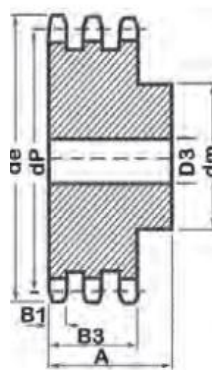
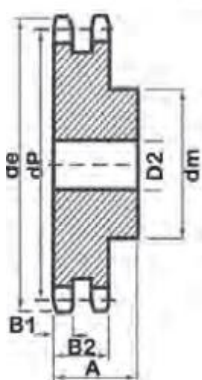
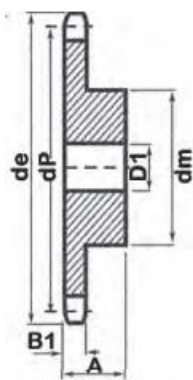
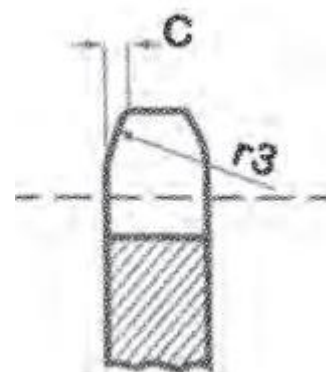


12B Pilot Bore Sprocket Product Dimension



12B-1-2-3 Sprockets

Teeth	Simplex						Duplex				Triplex			
	de	dp	dm	D1	A	App. Kg	dm	D2	A	App. Kg	dm	D3	A	App. Kg
8	58	49.78	31	12	30	OA	-	-	-	-	-	-	-	-
9	63.9	55.7	37	12	30	OA	37	16	45	0.75	-	-	-	-
10	69.8	61.64	42	12	30	OA	42	16	45	0.9	-	-	-	-
11	75.8	67.61	46	16	35	0.53	47	16	50	1	47	20	70	OA
12	81.8	73.6	52	16	35	0.67	53	16	50	1.23	-	-	-	-
13	87.8	79.59	58	16	35	0.75	59	16	50	1.41	59	20	70	1.77
14	93.8	85.61	64	16	35	0.91	65	20	50	1.68	-	-	-	-
15	99.8	91.63	70	16	35	1.14	71	20	50	1.95	71	20	70	2.45
16	105.8	97.65	75	16	35	1.27	77	20	50	2.27	77	20	70	OA
17	111.9	103.7	80	16	35	1.46	83	20	50	2.63	83	20	70	3.49
18	117.9	109.7	80	16	35	1.69	89	20	50	3.18	89	20	70	OA
19	123.9	115.8	80	16	35	1.78	95	20	50	3.5	95	20	70	4.54
20	130	121.8	80	16	35	2.1	100	20	50	3.72	100	20	70	OA
21	136	127.8	90	20	40	2.27	100	20	50	4.31	100	25	70	5.67
22	142	133.9	90	20	40	2.38	100	20	50	4.77	100	20	70	OA
23	148.1	139.9	90	20	40	2.49	110	20	50	4.99	110	25	70	6.62
24	154.1	145.9	90	20	40	2.62	110	20	50	5.45	110	20	70	OA
25	160.2	152	90	20	40	2.78	120	20	50	5.67	120	25	70	7.71
26	166.2	158	95	20	40	2.89	120	20	50	6.13	-	-	-	-
27	172.3	164.1	95	20	40	3.05	120	20	50	6.49	120	25	70	8.99
28	178.3	170.1	95	20	40	3.12	120	20	50	6.81	-	-	-	-
29	184.4	176.2	95	20	40	3.3	120	20	50	7.13	-	-	-	-
30	190.4	182.3	95	20	40	3.44	120	20	50	7.49	120	25	70	10.53
31	196.5	188.3	95	20	40	3.5	-	-	-	-	-	-	-	-
32	202.5	194.4	95	20	40	3.75	-	-	-	-	-	-	-	-
33	208.6	200.4	95	20	40	3.82	-	-	-	-	-	-	-	-
34	214.6	206.5	95	20	40	3.99	-	-	-	-	-	-	-	-
35	220.7	212.5	95	20	40	4.1	120	20	50	10.18	-	-	-	-
36	226.8	218.6	100	25	40	4.35	120	25	50	12.31	-	-	-	-
37	232.8	224.6	100	25	40	4.64	-	-	-	-	-	-	-	-
38	238.9	230.1	100	25	40	4.92	120	25	50	12.99	130	25	70	20.57
39	244.9	236.8	100	25	40	5.15	-	-	-	-	-	-	-	-
40	251	242.8	100	25	40	5.22	-	-	-	-	-	-	-	-
41	258	248.86	100	25	40	OA	-	-	-	-	-	-	-	-
42	265	254.9	118	25	60	5.78	-	-	-	-	-	-	-	-
43	272	260.98	100	25	40	OA	-	-	-	-	-	-	-	-
44	276	267.03	100	25	40	OA	-	-	-	-	-	-	-	-
45	283.2	273.1	100	25	56	6.34	136	25	62	15.38	-	-	-	-
48	301.4	291.3	118	25	60	7.18	-	-	-	-	-	-	-	-
50	313.5	303.4	118	25	60	8.01	-	-	-	-	-	-	-	-
55	343.8	333.7	118	25	60	9.9	-	-	-	-	-	-	-	-
57	355.9	345.8	100	30	56	10.1	120	30	63	25.34	140	40	70	33.73
60	374.1	364	118	25	60	11.44	-	-	-	-	-	-	-	-
76	471.1	461	100	30	56	17.26	135	30	63	25.63	160	40	75	37.19
95	586.2	576.2	100	30	65	23.83	135	30	70	39.24	-	-	-	-
114	700.9	691.36	100	30	65	OA	135	30	70	-	-	-	-	-



Pinions	mm
Tooth Radius r3	
Radius Width C	
Tooth Width B1	11.1
Tooth Width b1	
Tooth Width B2	30.3
Tooth Width B3	49.8

Chain	mm
Pitch	19.05
Inside	11.68
Roller ø	12.07