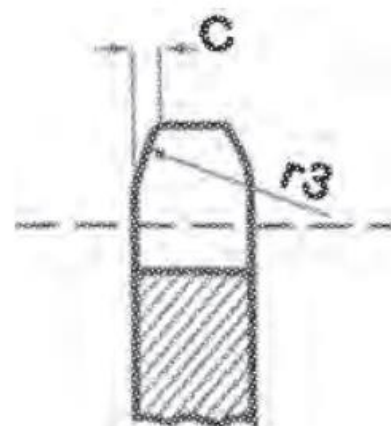
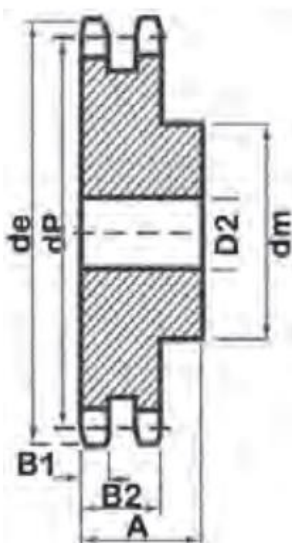
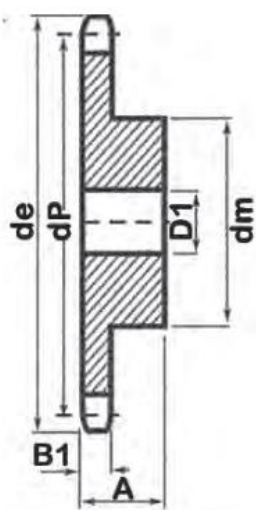


20B Pilot Bore Sprocket Product Dimension



20B-1-2 Sprocket										
Teeth	de	dp	Simplex				Suplex			
			dm	D1	A	App.Kg	dm	D2	A	App.Kg
9	106.5	92.84	63	20	40	1.45	-	-	-	-
10	117	102.7	70	20	40	1.86	-	-	-	-
11	127	112.7	77	20	45	2.4	80	25	80	3.67
12	137	122.7	88	20	45	2.95	90	25	80	4.6
13	147.5	132.7	98	20	45	3	100	25	80	5.53
14	157.6	142.7	108	20	45	3.4	110	25	80	6.62
15	167.6	152.7	118	20	45	4.31	120	25	80	7.76
16	177.7	162.8	120	25	50	4.63	120	30	80	9.1
17	187.8	172.8	120	25	50	4.99	120	30	80	10.44
18	197.8	182.9	120	25	50	5.44	120	30	80	11.68
19	207.9	192.9	120	25	50	5.9	120	30	80	12.92
20	217.9	203	120	25	50	6.35	120	30	80	14.735
21	228	213	140	30	55	7.03	140	30	80	16.55
22	238.1	223.1	140	30	55	7.71	140	30	80	17.8
23	248.2	233.2	140	30	55	8.16	140	30	80	19.05
24	258.3	243.2	140	30	55	8.62	140	30	80	20.41
25	268.4	253.3	140	30	55	9.07	140	30	80	21.77
26	278.4	263.4	150	30	55	9.53	150	30	80	23.37
27	288.5	273.5	150	30	55	10.43	150	30	80	24.97
28	299	283.6	150	30	55	11.34	150	30	80	34.02
29	308.8	293.6	150	30	55	11.68	150	30	80	35.04
30	319	303.8	150	30	55	12.02	150	30	80	36.06

Pinions	mm
Tooth Radius r3	
Radius Width C	
Tooth Width B1	18.5
Tooth Width b1	
Tooth Width B2	54.6
Tooth Width B3	91

Chain	mm
Pitch	31.75
Inside	19.56
Roller ø	19.05